

Installation Instructions

Part No. 30HW-900---008, 30MP-900---021

SAFETY CONSIDERATIONS

Installation of this accessory can be hazardous due to system pressures, electrical components and equipment location. Only trained, qualified installers and service mechanics should install and service this equipment.

When installing this accessory, observe precautions in the literature, labels attached to the equipment, and other safety precautions that apply.

- Follow all safety codes.
- Wear safety glasses and work gloves.
- Use care in handling and installing this accessory.

USAGE

PART NO.	UNIT
30HW-900---008	19XR04026501
	19XR04026502
	19XR04026503
30MP-900---021	30MPA,MPW016-071, 30MPE

INTRODUCTION

Install this package after bringing unit into the building. For 30MPA, MPE, MPW units, and 19XR pumpout unit, the unit must be raised off from the shipping skid by approximately 6 inches. After the accessory mobility package is installed, the unit can be moved to its final location.

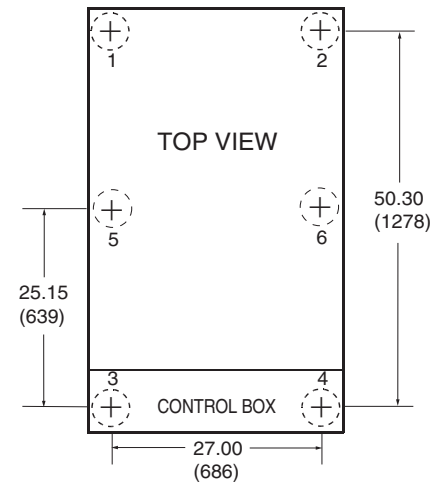
PACKAGE CONTENTS

PART NO.	QUANTITY	ITEM
30HW-900---008	4	Wheel assemblies (includes wheel, nut, and washer)
	4	Spacers
30MP-900---021	2	Wheel Assemblies with Locks
	4	Wheel Assemblies without Locks
	24	5/16-in.-18 x 1.0 in. Bolts
	24	5/16-in.-18 Nuts
	24	5/16-in. Lock Washers
	48	5/16-in. Flat Washers

INSTALLATION

30MP Chillers

1. Examine the package contents. The 30MP units require 6 wheels. Check to be sure there are 6 wheel assemblies in the carton. Each wheel requires 4 bolts, 8 flat washers, 4 lock washers, and 4 nuts. Notify your Carrier representative if pieces are missing or if the accessory is damaged.
2. Jack up the unit to a height of approximately 6 in. above the floor and block it in place. Be sure to block the unit securely so that it cannot fall during installation of the mobility package.
3. Mount the wheel assemblies to the unit. Mount one wheel assembly with lock to the baseframe mounting points 3 and 4 as shown in Fig. 1 and 2. Mount one wheel assembly without lock to the baseframe mounting points 1, 2, 5 and 6 as shown in Fig. 1 and 2.
4. Tighten each nut so that it holds the wheel assembly securely once the assembly is mounted on the unit. A minimum torque of 12 ft-lb (16 N•m) is recommended.
5. Remove the blocks, and carefully place unit back onto the floor. The unit is now ready to roll to the desired location.



NOTE: Dimensions in () are in mm.

Fig. 1 — Baseframe Mounting Points, 30MPA, MPE, and MPW Units

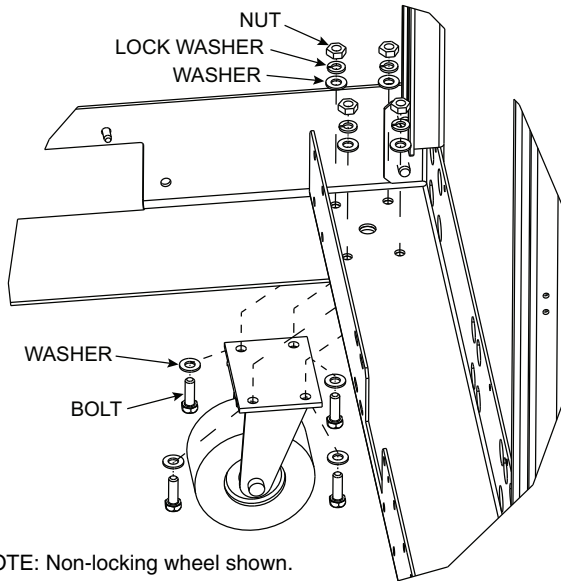
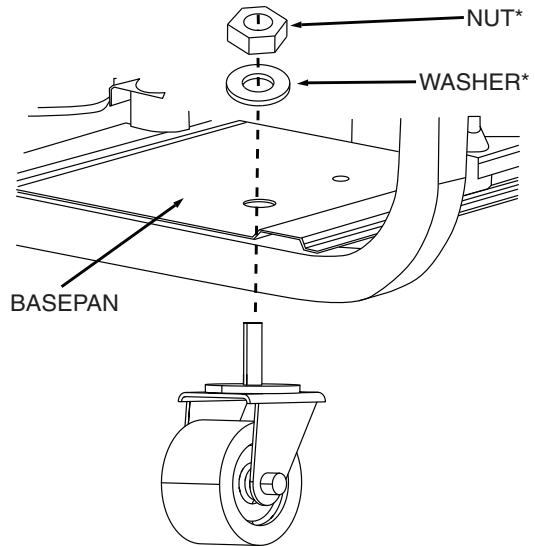


Fig. 2 — Mounting Wheel Assembly, 30MPA, MPE, and MPW Units

19XR Pumpout Units

1. Examine the package contents. Check to be sure there are 4 wheel assemblies in the carton. Spacers are included in the carton but are not used and can be discarded. Notify your Carrier representative if pieces are missing or if the accessory is damaged.
2. Remove 4 lag bolts attaching the unit to the skid and discard the bolts.
3. Jack up the unit to a height of approximately 6 in. above the shipping skid and block in place. Be sure to block the unit securely so that it cannot fall during installation of the mobility package.

4. Mount the wheel assemblies to the unit. Mount one wheel assembly to each of the basepan mounting holes as shown in Fig. 3. Use the same mounting holes from which the lag bolts were removed in Step 2. Tighten the nut so that it holds the wheel assembly securely once the assembly is mounted on the unit. A minimum torque of 20 ft-lb (27 N•m) is recommended.
5. Remove the shipping skid from under the unit, remove the blocks, and carefully place unit back onto the floor. The unit is now ready to roll to the desired location.



*Part of wheel assembly.

Fig. 3 — Mounting Wheel Assembly to Pumpout Assembly Basepan, 19XR Units