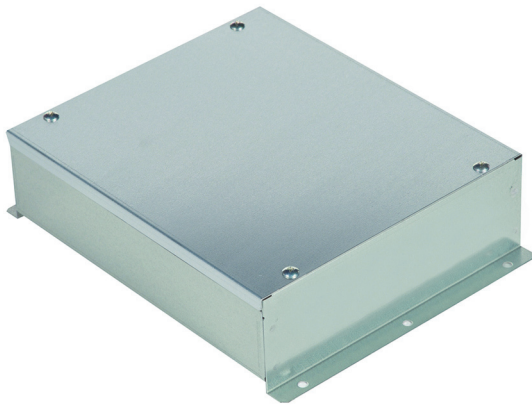


Submittal Data

Job Data _____ Location _____
 Buyer _____ Buyer PO # _____ Carrier # _____
 Unit Number _____ Model Number _____
 Performance Data Certified By _____ Date _____



SMMSi / SHRMi VRF LonWorks LN Interface Features

The LonWorks interface manages the SMMSi/SDI air conditioning system as a Lon device to communicate with the customer's Building Management System and to monitor operational status. A maximum of 64 units are controllable per interface.

CONTROLLER

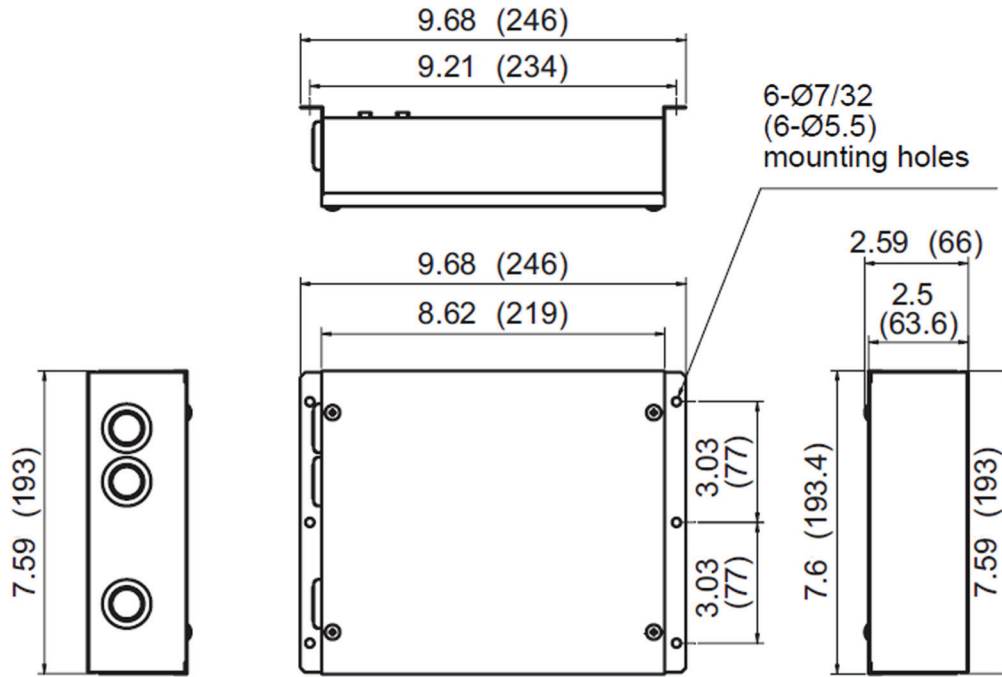
- ON/OFF
- Operation Mode
- Temperature Setting
- Fan Speed
- Louver
- Permit/Prohibit Local Remote Controller

MONITORING

- ON/OFF
- Operation Mode
- Temperature Setting
- Fan Speed
- Louver
- Room Temperature
- Permit/Prohibit Local Remote Controller
- Error Code
- Error Status

PART NAME	LN Interface
Model Number	TCB-IFLN642TLUL
Power Supply	120 VAC, 60 Hz
Power Consumption	5 W
Number of Connectable Indoor Units	64 Units
Operating Temperature/Humidity	32 to 104 F (0 to 40 C), 10 to 90% RH (no condensation)
Storage Temperature	-4 to 140 F (-20 to 60 C)
Dimension	2.59 (H) x 7.59 (W) 9.68 (D) in. (66 (H) x 193 (W) 246 (D) mm)
Weight, lb (kg)	2.98 (1.35)

DIMENSIONAL DRAWING LONWORKS LN INTERFACE TCB-IFLN642TLUL



NOTE: Dimensions are in inches (mm).