



09DPS018-030, 09DPM035-130, 38APS025-065, 38APD025-130 Sound Reduction Kit Accessory 50/60 Hz

Installation Instructions

Part No.: 38AP-900---014 (575-v), 38AP-900---015 (380-v)
38AP---900-016 (208/230-v), 38AP-900---017 (460-v, 380/415-v)

SAFETY CONSIDERATIONS

Installation of this accessory can be hazardous due to system pressures, electrical components, and equipment location (such as a roof or elevated structure).

Only trained, qualified installers and service technicians should install, start up, and service this equipment.

When installing this accessory, observe precautions in the literature and on any labels attached to the equipment, and all other safety precautions that may apply.

- Follow all safety codes.
- Wear safety glasses and work gloves.
- Use care in handling and installing this accessory.

⚠ WARNING

To avoid the possibility of electrical shock, open and tag all disconnects before installing this equipment. Failure to do so could result in severe personal injury.

INTRODUCTION

The accessory sound reduction kit is a system of fans and acoustic enclosures specially designed for reducing system noise with minimal impact to the unit operating envelope. The accessory is compatible with the Motormaster[®] control. The accessory kit contains the parts needed to convert one fan.

Depending on the unit size and number of fans it contains, a minimum of one to a maximum of 8 kits may be required to modify the unit. See Table 1 for the number of kits required for each unit. See Table 2 for the contents of each kit.

Table 1 — Sound Reduction Kit Requirements

UNIT		ACCESSORY KITS REQUIRED
09DP	38AP	
018	—	1
020-035	025-030	2
040	040, 050	3
050-065	060-070	4
075	080	5
085-095	090, 100	6
115	115	7
130	130	8

Table 2 — Sound Reduction Kit Contents

DESCRIPTION	QUANTITY	ACCESSORY PACKAGE CONTENTS: PART NUMBER			
		38AP-900---014 575-3-60	38AP-900---015 380-3-60	38AP-900---016 208/230-3-60	38AP-900---017 460-3-60, 380/415-3-50
Outdoor-Fan Motor	1	HD52AR578	HD52AR381	HD52AR228	HD52AR465
Fan Propeller	1	00PSN00000101A			
Fan Propeller Cover	1	00PSG00000200A			
Washer	1	00PPN500009700A			
M8 Screw	1	00PPN500009600A			
Fan Shroud/Grille Assembly:					
Fan Shroud	1	00PSN000027000A			
M4.8 Screw	4	00PPN50000401A			
Fan Grille	1	30GX500167			
M6 x 20 Hex Head Screw	8	00PPN50000302A			
1/4-14 x 5/8 in. Screws	8	AL56AZ003			

Manufacturer reserves the right to discontinue, or change at any time, specifications or designs without notice and without incurring obligations.

INSTALLATION

Step 1 — Inspect the contents of each package for any missing or damaged parts. File a claim with the shipping company if any item is missing or damaged, and notify your Carrier representative.

Step 2 — Lock out and tag out all disconnects. Remove the existing fan guards (see Fig. 1), fan propellers, and outdoor-fan motors from the unit. Be sure to save the motor bracket, bolts, nuts, and washers for reinstallation of the new outdoor-fan motor. See Fig. 2.

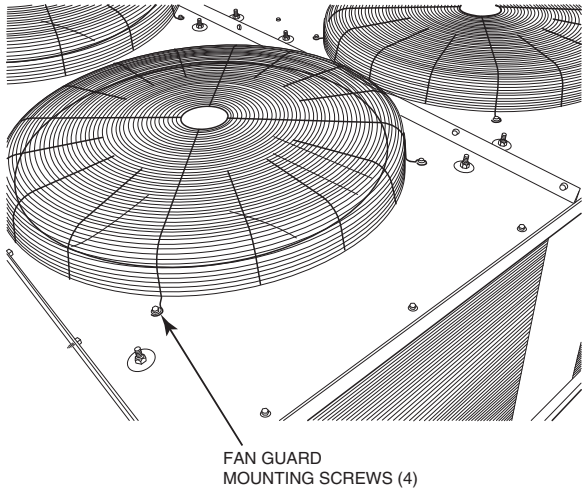
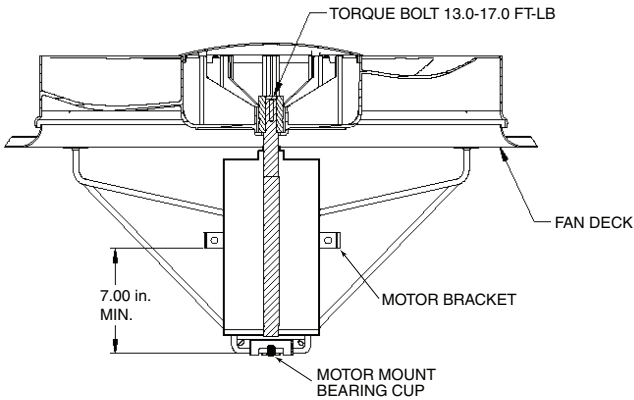


Fig. 1 — Fan Guards



NOTE: Fan rotation is counterclockwise when viewed from top of unit.

Fig. 2 — Installing Fan Propellers and Motors

Step 3

CAUTION

To avoid possible damage to accessory components, do not remove them from the packaging until they are ready to be installed. DO NOT stack anything on top of the fan propellers; damaging the propellers can cause fan imbalance.

When the accessory sound reduction kits are ready to be installed, carefully remove the accessory fan propellers and the acoustic enclosures from the packaging.

Step 4 — Install the new outdoor-fan motors into the unit. Ensure that the fan motor is installed and seated correctly in the motor mount bearing cup. Take care to line up the motor so the bolt heads on the bottom of the motor are in the slots of the cup. See Fig. 2.

1. Position the motor so that the power plug is closest to the harness assembly. Some motors may include an anti-rotation bracket at the opposite shaft end of the motor. If an anti-rotation bracket is included, position the motor with the anti-rotation bracket on the left side of the vertical motor basket frame member. See Fig. 3.

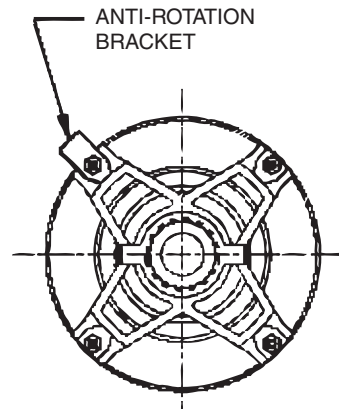


Fig. 3 — Anti-Rotation Bracket

2. Reinstall the motor bracket saved in Step 2 at the location indicated in Fig. 2.
3. Reinstall the motor power plug removed in Step 2. Be sure to form a drip loop in the wire harness assembly.

Step 5 — Install the fan propellers as follows:

1. Install the accessory fan propellers onto the shafts of the outdoor fan motors. See Fig. 2.
2. Install the M8 washer and M8 screw from the top of the propeller onto the outdoor fan motor shaft. Tighten the screw to 13 to 17 ft-lb (17.6 to 23.9 Nm).
3. Check to be sure the fan spins freely over the orifice.

Step 6 — Install the propeller cover on top of the propeller by snapping it into place.

Step 7 — Mount the fan shroud/grille assembly on the fan deck using eight $\frac{1}{4}$ -14 x $\frac{5}{8}$ in. screws. Figure 4 shows the sound reduction kit installed on a 2-fan unit.

Step 8 — Restore power to the unit. Ensure that the propellers rotate counterclockwise when viewed from the top of the unit.

NOTE: Sound reduction kit fans rotate counterclockwise when viewed from the top of the unit. This is opposite from the direction standard fans should rotate.

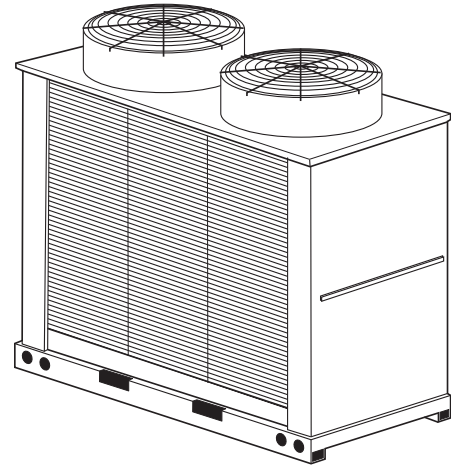


Fig. 4 — Sound Reduction Kit Installed

