

# VRF Indoor Unit 40VML024---3—Low Static Duct



## Submittal Data

Job Data \_\_\_\_\_ Location \_\_\_\_\_  
 Buyer \_\_\_\_\_ Buyer PO # \_\_\_\_\_ Carrier # \_\_\_\_\_  
 Unit Number \_\_\_\_\_ Model Number \_\_\_\_\_  
 Performance Data Certified By \_\_\_\_\_ Date \_\_\_\_\_



### STANDARD FEATURES

- Rear Return Air Opening is Standard and Bottom Return is Optional
- Three Fan Speeds - High, Medium, and Low
- Knockout for Outside Air
- Built-in Drain Pump from Factory
- Built in EXV (Electronic Expansion Valve) for Installation Ease

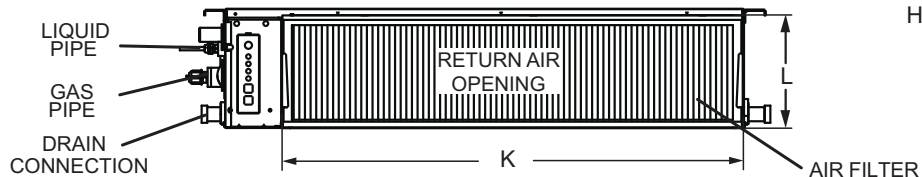
INDOOR UNIT MODEL		40VML024---3
PERFORMANCE		
Cooling Rated Capacity	Btu/h	24,000
Heating Rated Capacity	Btu/h	27,000
Airflow (H / M / L)	CFM	701 / 565 / 471
Sound Pressure (H / M / L)	dBA	41.3 / 38.8 / 37
ELECTRICAL		
Power Supply	V/Ph/Hz	208-230/1/60
Power Consumption (Input)	W	68
Minimum Circuit Amps (MCA)	A	1.18
Maximum Overcurrent Protection	A	15.0
Motor Type		DC

PHYSICAL DATA		
Pipe Connection Size - Liquid	in.	3/8 (OD)
Pipe Connection Size - Suction	in.	5/8 (OD)
Pipe Connection Size - Drain	in.	1 (OD)
Refrigerant		R-410A
Unit Width	in.	48
Unit Height	in.	8-1/4
Unit Depth	in.	19-3/4
Net Unit Weight	lb	59.5

### ACCESSORIES

- Wireless Remote Controller 40VM900001
- Wired Remote Controller - Non-Prog. 40VM900002
- Wired Remote Controller - Prog. 40VM900003
- Touch Screen Wired Controller 40VM900005
- Touch Screen Central Controller 40VM900006

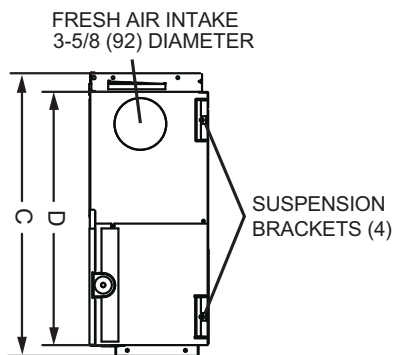
# DIMENSIONAL DRAWING INDOOR UNIT LOW STATIC DUCT 40VML024---3



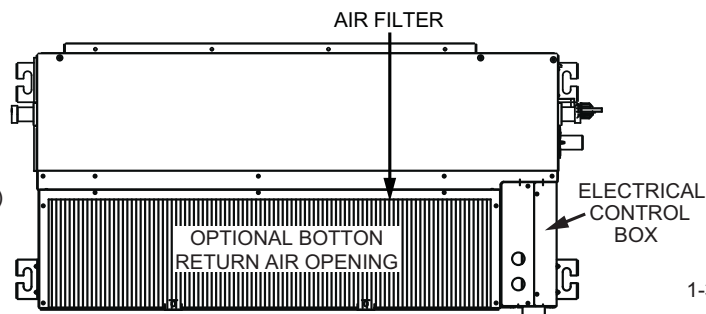
**REAR VIEW**



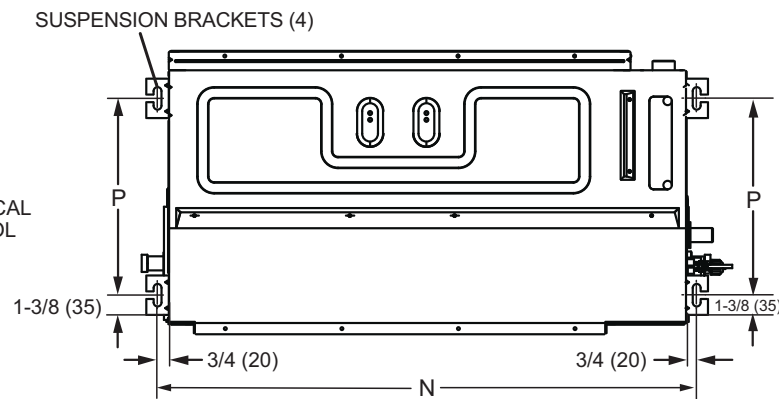
**FRONT VIEW**



**SIDE VIEW**



**BOTTOM VIEW**



**TOP VIEW**

Note: All dimensions are shown in inches

40VML UNIT SIZE	DIMENSION (in.)												
	A	B	C	D	E	F	G	H	J	K	L	N	P
<b>018</b>	44 <sup>7</sup> / <sub>8</sub>	8 <sup>1</sup> / <sub>4</sub>	19 <sup>3</sup> / <sub>4</sub>	17 <sup>3</sup> / <sub>4</sub>	48	1 <sup>3</sup> / <sub>4</sub>	37 <sup>5</sup> / <sub>8</sub>	<sup>5</sup> / <sub>8</sub>	5 <sup>3</sup> / <sub>4</sub>	41	7 <sup>7</sup> / <sub>8</sub>	46 <sup>1</sup> / <sub>2</sub>	13 <sup>3</sup> / <sub>4</sub>

