

VRF Indoor Unit 40VML015---3—Low Static Duct



Submittal Data

Job Data _____ Location _____
 Buyer _____ Buyer PO # _____ Carrier # _____
 Unit Number _____ Model Number _____
 Performance Data Certified By _____ Date _____



STANDARD FEATURES

- Rear Return Air Opening is Standard and Bottom Return is Optional
- Three Fan Speeds - High, Medium, and Low
- Knockout for Outside Air
- Built-in Drain Pump from Factory
- Built in EXV (Electronic Expansion Valve) for Installation Ease

INDOOR UNIT MODEL		40VML015---3
PERFORMANCE		
Cooling Rated Capacity	Btu/h	15,000
Heating Rated Capacity	Btu/h	17,000
Airflow (H / M / L)	CFM	459 / 367 / 306
Sound Pressure (H / M / L)	dBA	36.7 / 35.2 / 33.2
ELECTRICAL		
Power Supply	V/Ph/Hz	208-230/1/60
Power Consumption (Input)	W	43
Minimum Circuit Amps (MCA)	A	0.8
Maximum Overcurrent Protection	A	15.0
Motor Type		DC

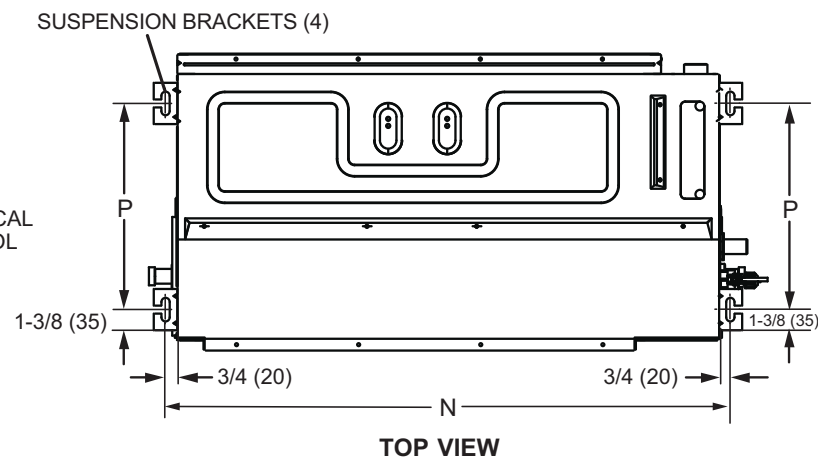
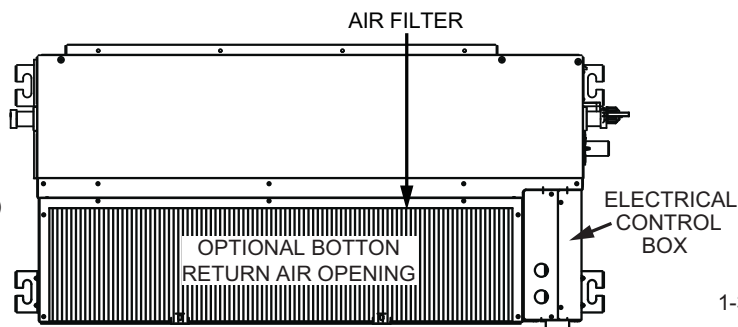
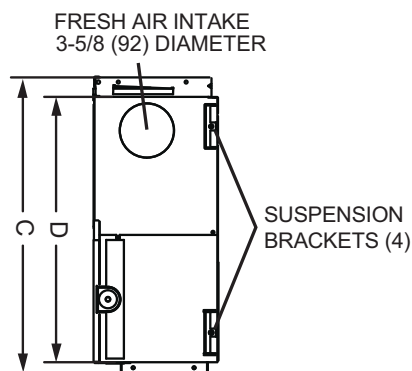
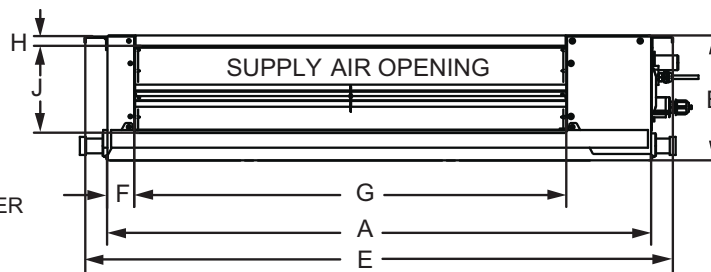
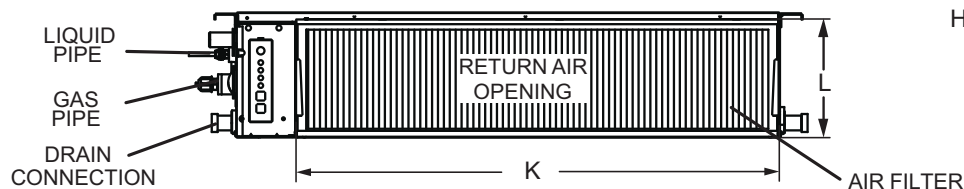
PHYSICAL DATA		
Pipe Connection Size - Liquid	in.	1/4 (OD)
Pipe Connection Size - Suction	in.	1/2 (OD)
Pipe Connection Size - Drain	in.	1 (OD)
Refrigerant		R-410A
Unit Width	in.	39-3/4
Unit Height	in.	8-1/4
Unit Depth	in.	19-3/4
Net Unit Weight	lb	48.5

ACCESSORIES

- Wireless Remote Controller 40VM900001
- Wired Remote Controller - Non-Prog. 40VM900002
- Wired Remote Controller - Prog. 40VM900003
- Touch Screen Wired Controller 40VM900005
- Touch Screen Central Controller 40VM900006

Manufacturer reserves the right to discontinue, or change at any time, specifications or designs without notice and without incurring obligations.

DIMENSIONAL DRAWING INDOOR UNIT LOW STATIC DUCT 40VML015---3



Note: All dimensions are shown in inches

40VML UNIT SIZE	DIMENSION (in.)												
	A	B	C	D	E	F	G	H	J	K	L	N	P
015	36 1/4	8 1/4	19 3/4	17 3/4	39 1/4	1 3/4	28 7/8	5/8	5 3/4	32 1/4	7 7/8	37 3/4	13 3/4

