

# SHRMe VRF Outdoor Unit MMY-MAP1206FT9P-UL - Heat Recovery

**TOSHIBA**  
*Carrier*

## Submittal Data

Job Data \_\_\_\_\_ Location \_\_\_\_\_  
 Buyer \_\_\_\_\_ Buyer PO # \_\_\_\_\_ Carrier # \_\_\_\_\_  
 Unit Number \_\_\_\_\_ Model Number \_\_\_\_\_  
 Performance Data Certified By \_\_\_\_\_ Date \_\_\_\_\_



### SHRMe VRF Heat Recovery Features

- 6, 8, 10, 12, and 14-ton modules available
- Capable of simultaneous cooling and heating (flow selector boxes required)
- Modules have 2 inverter-driven twin rotary compressors
- Backup capability due to multiple compressors
- Compressor speed varied in 0.1 Hz increments for comfort and efficiency
- Direct drive, inverter-driven 64-step outdoor motor
- Modules can be combined to form larger systems, up to 38 tons
- Up to 3281 ft (1000 m) actual total system piping (liquid line)
- Up to 591 ft (180 m) actual piping length from outdoor unit to furthest fan coil
- Up to 330 ft (100 m) outdoor control wiring
- Up to 6560 ft (2000 m) control wiring between outdoor and indoor units
- Operating temperature range  
Cooling (db): 14 to 122 F (-10 to 50 C)  
Heating (wb): -13 to 60 F (-25 to 15.6 C)
- Protection: high pressure switch, low pressure sensor and switch, PC board fuse, inverter overload protection
- 7-year compressor limited warranty, 5-year parts limited warranty

| Header Unit Model                                   | MMY-MAP1206FT9P-UL |               |
|---|--------------------|---------------|
| <b>PERFORMANCE</b>                                  |                    |               |
| Nominal Cooling Capacity                            | Btu/h              | 119,700       |
| Nominal Heating Capacity                            | Btu/h              | 135,000       |
| Maximum Total Connected Indoor Unit Capacity        |                    | Up to 150%    |
| <b>SIMULTANEOUS COOLING AND HEATING EFFICIENCY*</b> |                    |               |
| SCHE, Ducted FCUs                                   |                    | 27.30         |
| SCHE, Ductless FCUs                                 |                    | 34.90         |
| <b>COOLING EFFICIENCY*</b>                          |                    |               |
| EER/IEER, Ducted FCUs                               |                    | 12.30/21.10   |
| EER/IEER, Ductless FCUs                             |                    | 12.10/28.30   |
| <b>HEATING EFFICIENCY*</b>                          |                    |               |
| COP at 47 F, Ducted FCUs                            |                    | 3.53          |
| COP at 47 F, Ductless FCUs                          |                    | 3.61          |
| Fan Type (Qty)                                      |                    | Propeller (1) |
| Airflow, Standard Range                             | CFM                | 7700          |
| Sound Pressure, Cooling/Heating                     | dBA                | 62/64         |
| External Static Pressure†                           | in. wg             | 0.16          |

### LEGEND

|             |   |   |
|-------------|---|---|
| <b>db</b>   | — | Dry Bulb                                    |
| <b>COP</b>  | — | Coefficient of Performance                  |
| <b>EER</b>  | — | Energy Efficiency Ratio                     |
| <b>FCU</b>  | — | Fan Coil Unit                               |
| <b>IEER</b> | — | Integrated Energy Efficiency Ratio          |
| <b>SCHE</b> | — | Simultaneous Cooling and Heating Efficiency |
| <b>wb</b>   | — | Wet Bulb                                    |

NOTE: Unit cabinet and coil slab shall be capable of withstanding 500-hour salt spray test in accordance with the ASTM (American Society for Testing and Materials, U.S.A.) B-117 Standard.

| <b>ELECTRICAL</b>                             |         |                             |
|---|---------|-----------------------------|
| Power Supply                                  | V/Ph/Hz | 208-230/3/60                |
| Minimum Circuit Amps (MCA)                    | A       | 45.4                        |
| Recommended Fuse Size                         | A       | 50                          |
| <b>COMPRESSORS</b>                            |         |                             |
| Type (Number)                                 |         | Inverter Twin Rotary (2)    |
| Motor Output                                  | kW      | 2 x 4.0                     |
| <b>FAN MOTOR</b>                              |         |                             |
| Motor Type (Steps)                            |         | Inverter Direct Driven (64) |
| Motor Output                                  | kW      | 1.0                         |
| <b>PHYSICAL DATA</b>                          |         |                             |
| Pipe Connection Size - Liquid (High Pressure) | in.     | 1/2 (Flare)                 |
| Pipe Connection Size - Gas (Low Pressure)     | in.     | 1-1/8 (Brazed)              |
| Discharge (High Pressure)                     | in.     | 3/4 (Flare)                 |
| Balance                                       | in.     | 3/8 (Flare)                 |
| Refrigerant                                   |         | R-410A                      |
| Factory Charge**                              | lb      | 24.3                        |
| External Finish                               |         | Munsell 1Y8.5/0.5           |
| Unit Width                                    | in.     | 47.6                        |
| Unit Height                                   | in.     | 72.9                        |
| Unit Depth                                    | in.     | 30.7                        |
| Unit Net Weight                               | lb      | 684                         |

\*Rated per AHRI (Air-Conditioning, Heating and Refrigeration Institute) 1230 Standard.

Cooling: Indoor 80 F (35 C) db/67 F (27 C) wb; Outdoor 95 F (35 C) db  
 Heating: Indoor 70 F (21 C) db; Outdoor 47 F (8 C) db/43 F (6 C) wb

†Requires setting by DIP switches.

\*\*Additional charge required.

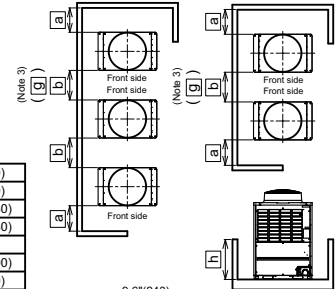
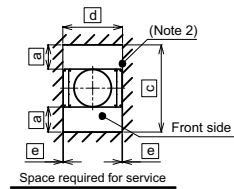
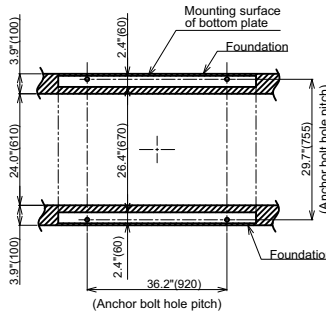
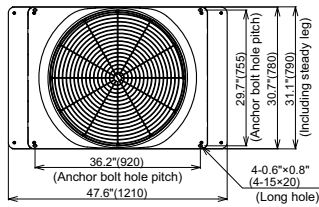
Manufacturer reserves the right to discontinue, or change at any time, specifications or designs without notice and without incurring obligations.

# DIMENSIONAL DRAWING

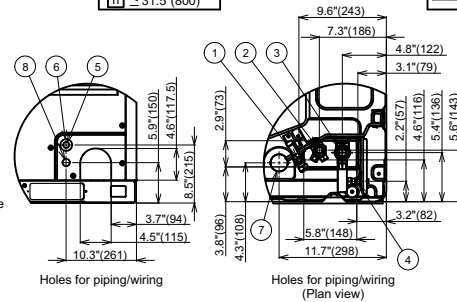
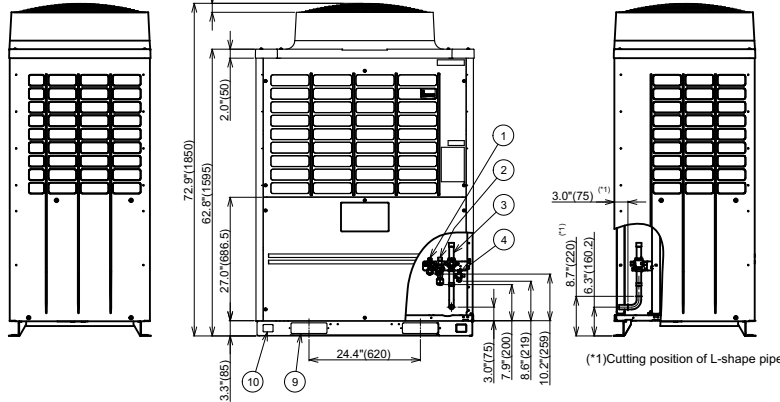
## OUTDOOR UNIT HEAT RECOVERY/SINGLE UNIT MMY-MAP1206FT9P-UL

**NOTES:**

1. If there is an obstacle at the upper side of the outdoor unit, set the top end of the outdoor unit 78.7 in. (2000 mm) apart from the obstacle.
2. Limit the height of the obstacle surrounding the outdoor unit to 31.5 in. (800 mm) or less from the bottom end of the outdoor unit.
3. Draw out the pipe procured locally to the front of the outdoor unit horizontally, and keep 19.7 in. (500 mm) or more between the outdoor unit and traversing pipe if placing pipe transversely.
4. Dimensions are in inches (mm).



|   |               |
|---|---------------|
| a | ≥ 19.7"(500)  |
| b | ≥ 23.6"(600)  |
| c | ≥ 70.1"(1780) |
| d | ≥ 48.4"(1230) |
| e | ≥ 0.4"(10)    |
| g | ≥ 39.4"(1000) |
| h | ≤ 31.5"(800)  |



| No | Parts name                         | Remarks               | Model Name    | A          |
|----|------------------------------------|-----------------------|---------------|------------|
| ①  | Liquid pipe connection port        | φ1/2"(12.7)           | MAP 0966 type | 1/2"(12.7) |
| ②  | Discharge gas pipe connection port | φ3/4"(19.1)           | MAP 1206 type | 5/8"(15.9) |
| ③  | Suction gas pipe connection port   | φA                    |               |            |
| ④  | Balance pipe connection port       | φ3/8"(9.5)            |               |            |
| ⑤  | Knockout hole for power wiring 1   | φ0.9"(22.2)           |               |            |
| ⑥  | Knockout hole for power wiring 2   | φ1.7"(43.7)           |               |            |
| ⑦  | Knockout hole for power wiring 2   | φ1.9"(48)             |               |            |
| ⑧  | Knockout hole for control wiring   | φ1.1"(27)             |               |            |
| ⑨  | Square hole (for freight handling) | 4-2.4"x7.9"(4-60x200) |               |            |
| ⑩  | Square hole (for hanging)          | 4-1.6"x2.2"(4-40x55)  |               |            |

