



*Marine Systems*

**MARINE / INDUSTRIAL SINGLE  
PACKAGE COOLING UNIT**

**90MA/MU**

**SERIES 3**

**SERVICE PARTS LIST**





# Single Package Cooling Unit

## 90MA/MU

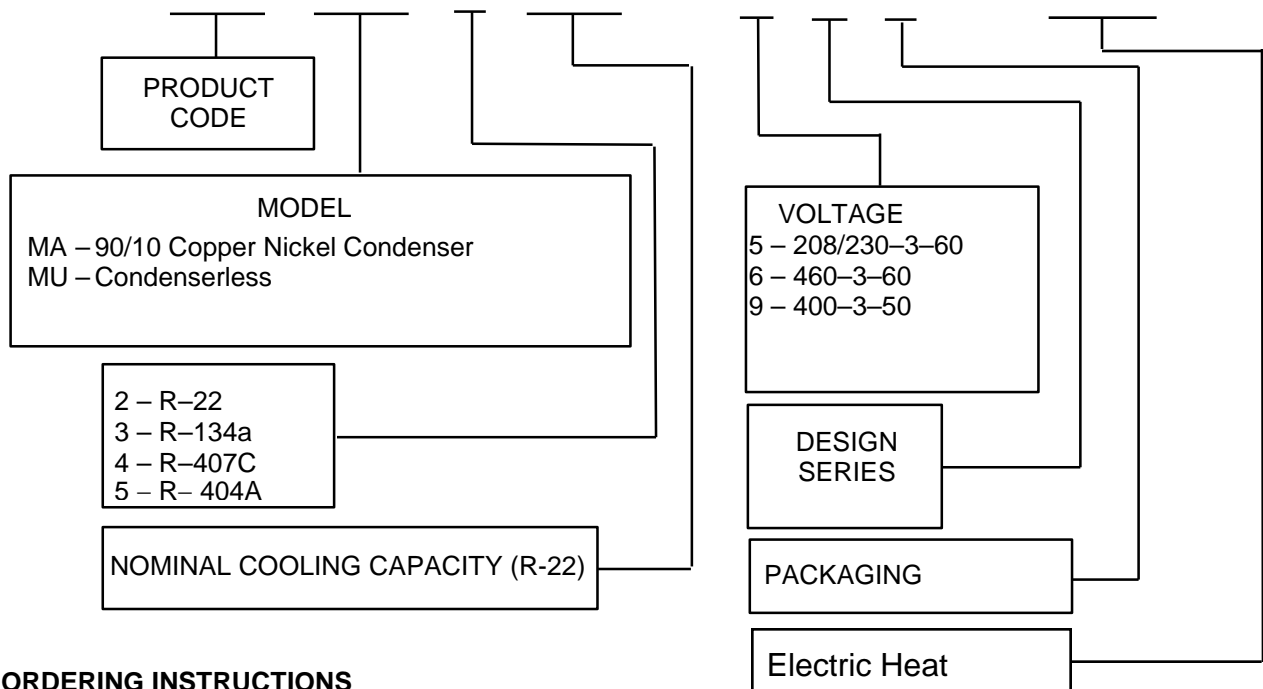
### INTRODUCTION

This Parts List identifies service replacement parts for the Carrier Marine Single Package Cooling Units, **Series 3**, in the Model Chart that follows.

To find replacement parts, determine major group in which replacement parts are located (refer to the table of contents) and turn to the appropriate page for the illustrated breakdown of the replacement parts. This Parts List does not include detailed replacement parts for the serviceable compressors. Detailed Parts identification for this may be found in the 06D Compressor Parts List.

### MODEL CHART

1	2	3	4	5	6	7	8	9	10	11	12	13	14
9	0	M	A	3	1	2	-	6	3	1	-	E	H



### ORDERING INSTRUCTIONS

All orders and inquiries for parts must include: Unit Model, Serial Number, Part No., description of part as shown on list and quantity required. Address all correspondence for parts to the following address or Fax number:

MAIL : CARRIER TRANSCOLD DIVISION  
Performance Parts Group, TR-20  
P.O. Box 4805  
Syracuse, NY 13221

FAX: (315) 432-3778



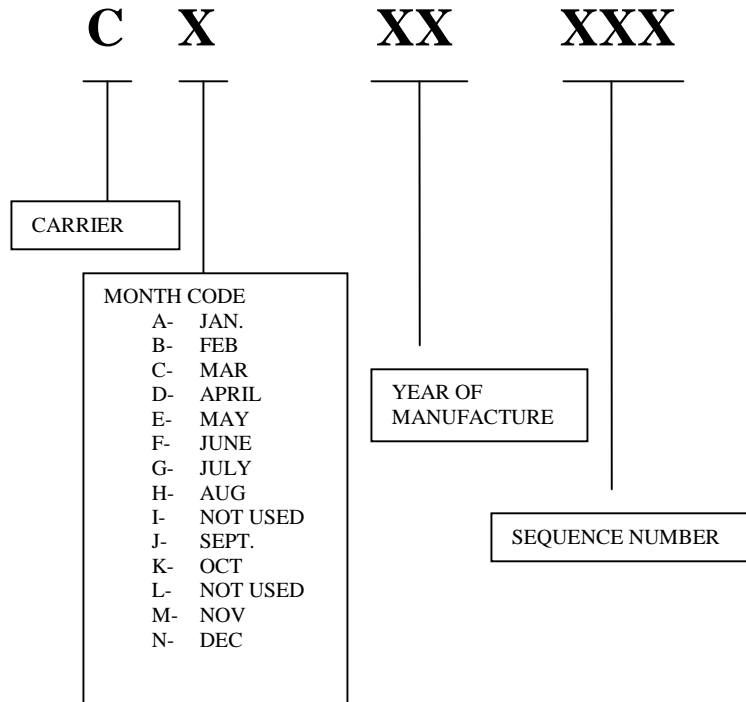
# Single Package Cooling Unit

90MA/MU

## GENERAL NOTES

1. This catalog contains those items most commonly required for replacement purposes. If parts other than those cataloged are required, please provide the model number and serial number of the unit on which the parts are to be used and a complete description including references to items that are cataloged.
2. Casing parts and panels are not normally stocked, but are available upon request while in production. Requests for casing parts and panels for units no longer in production must be cleared for availability prior to submitting an order.
3. The replacement parts listed in this catalog are RCG "Factory-Authorized Parts" and, as a result of "standardization," may not be identical to the original part furnished on the equipment.
4. The following letter designations are used to classify parts throughout this list:  
A/R = As Required, PL = Purchase Locally, NS = Not Shown In Illustration

## SERIAL NUMBER MATRIX





# Single Package Cooling Unit

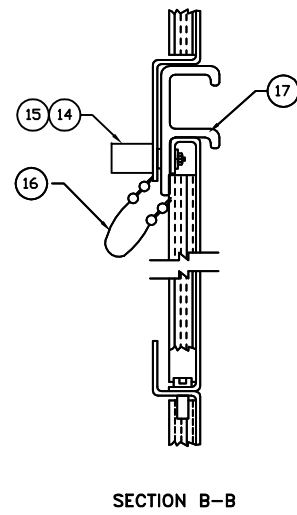
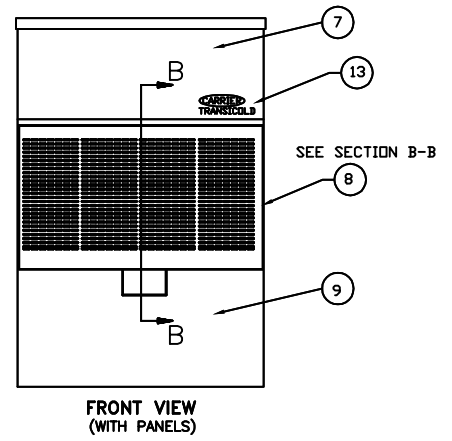
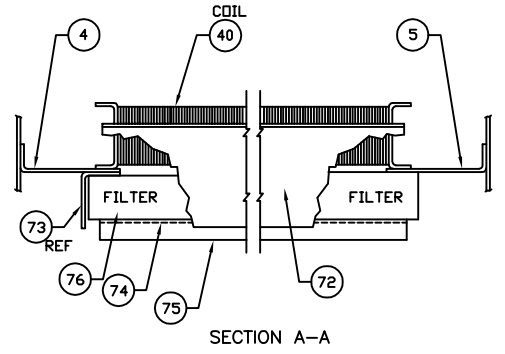
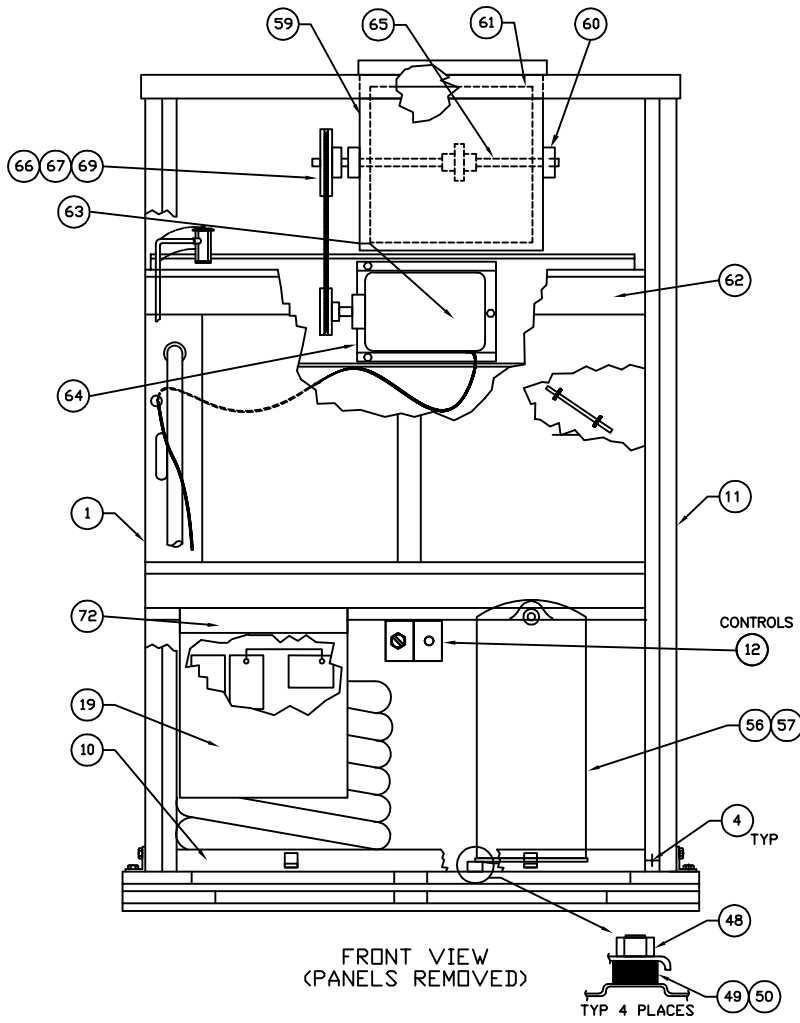
90MA/MU

## CONTENTS

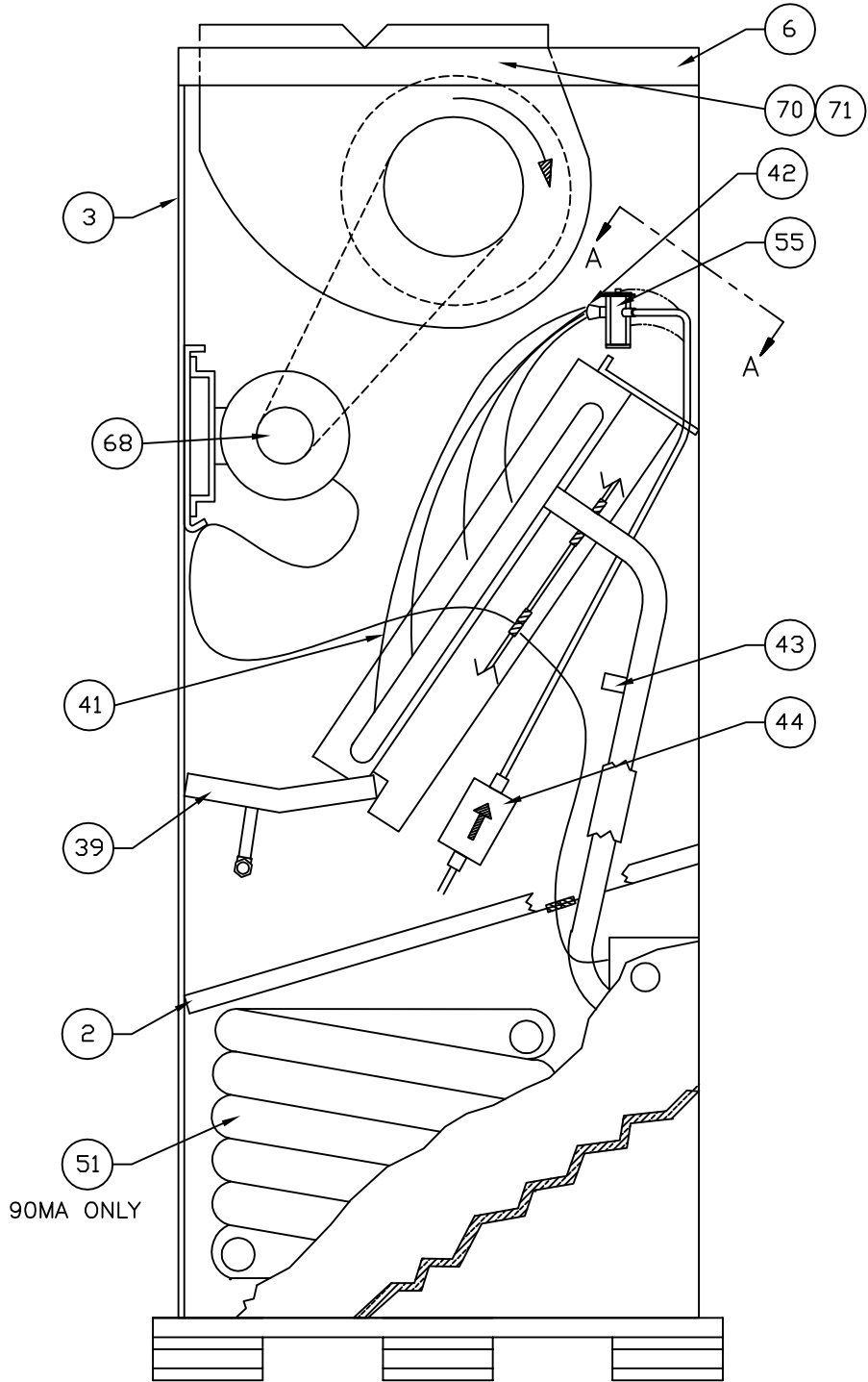
INTRODUCTION.....	2
MODEL CHART.....	2
ORDER INSTRUCTIONS.....	2
GENERAL NOTES.....	3
SERIAL NUMBER MATRIX.....	3
UNIT IMAGES..... SIZE 004-006.....	5
CASING GROUP..... SIZE 004-006.....	10
CONTROL BOX GROUP..... SIZE 004-006.....	11
REFRIGERATION GROUP..... SIZE 004-006.....	12
COMPRESSOR /OIL GROUP..... SIZE 004-006.....	14
FAN AND MOTOR GROUP..... SIZE 004-006.....	15
FILTER AND ACCESSORY GROUP..... SIZE 004-006.....	16
ELECTRIC HEAT GROUP..... SIZE 004-006.....	17
UNIT IMAGES..... SIZE 008.....	18
CASING GROUP..... SIZE 008.....	22
CONTROL BOX GROUP..... SIZE 008.....	23
REFRIGERATION GROUP..... SIZE 008.....	24
FAN AND MOTOR GROUP..... SIZE 008.....	27
FILTER AND ACCESSORY GROUP..... SIZE 008.....	28
UNIT IMAGES..... SIZE 012.....	29
CASING GROUP..... SIZE 012.....	34
CONTROL BOX GROUP..... SIZE 012.....	35
REFRIGERATION GROUP..... SIZE 012.....	36
FAN AND MOTOR GROUP..... SIZE 012.....	39
FILTER AND ACCESSORY GROUP..... SIZE 012.....	40
ELECTRIC HEAT GROUP..... SIZE 008-012.....	41



# 90MA/MU004/006 SINGLE PACKAGE COOLING UNIT

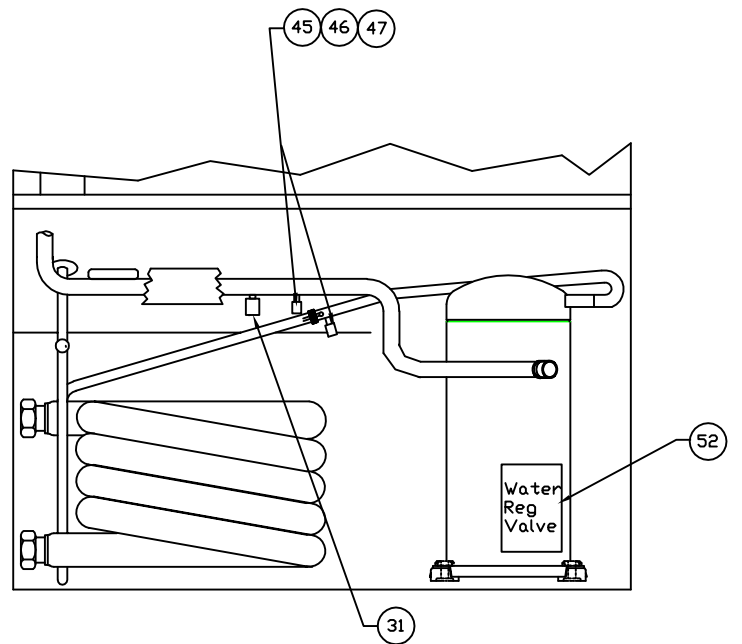
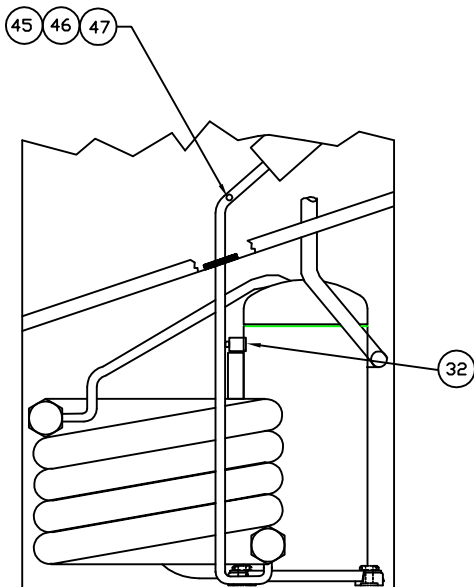
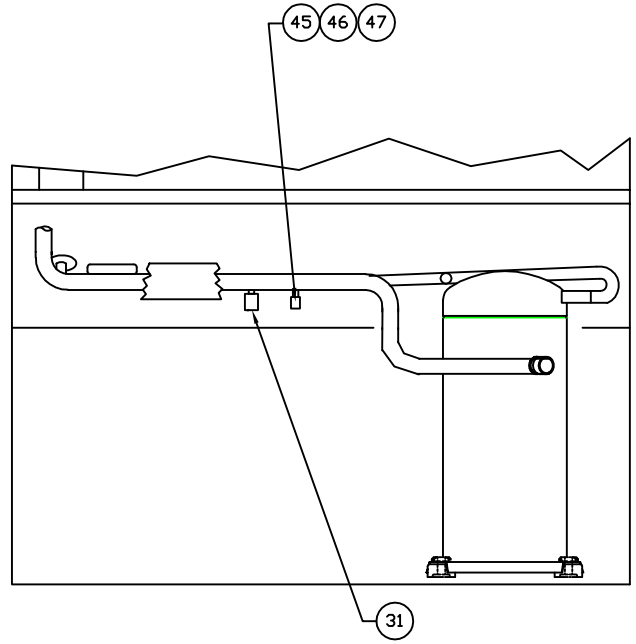
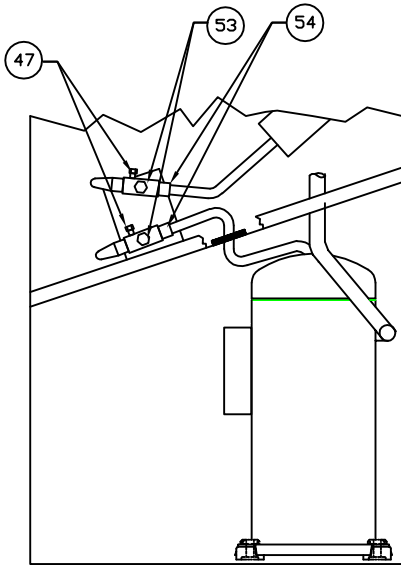


# 90MA/MU004/006 SINGLE PACKAGE COOLING UNIT



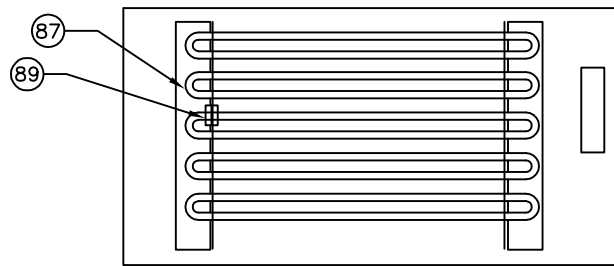
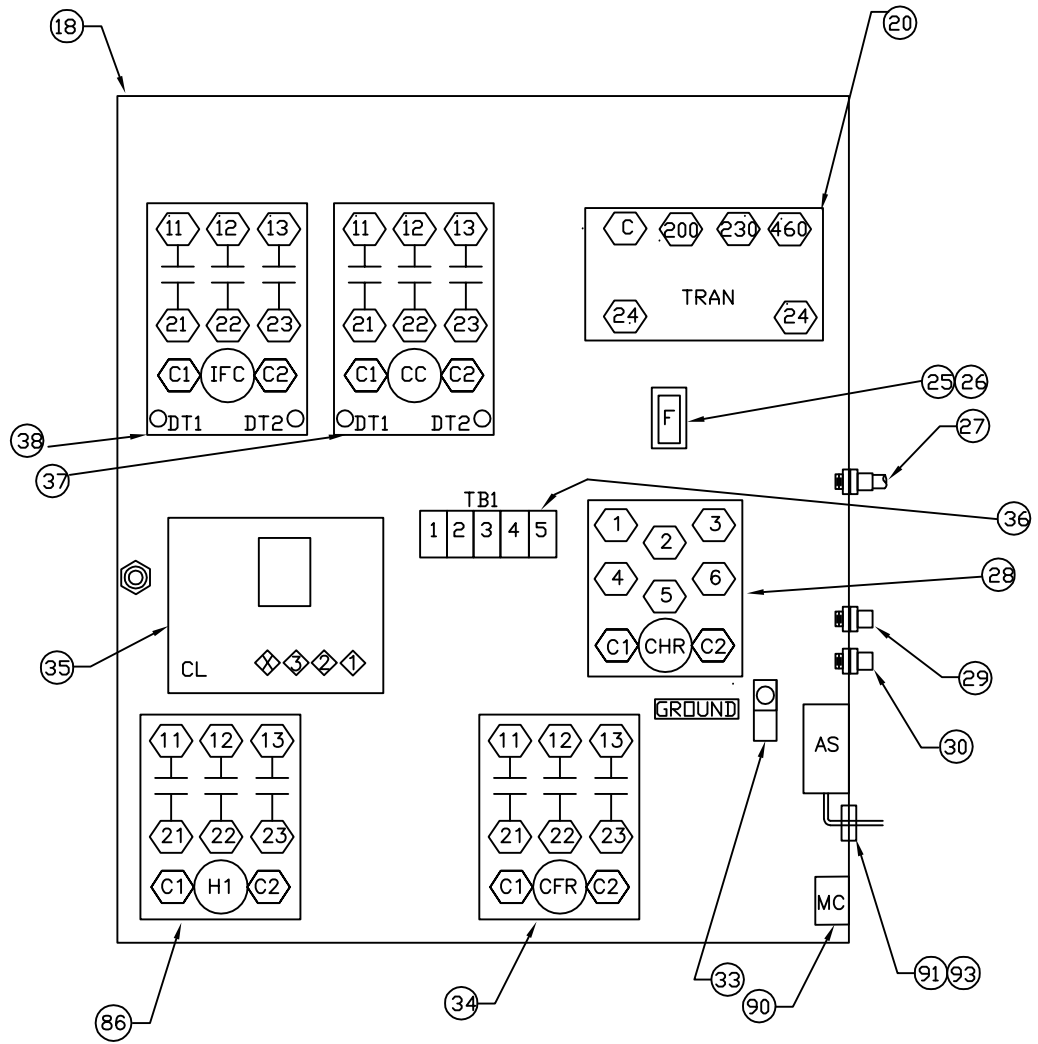


# 90MA/MU004/006 SINGLE PACKAGE COOLING UNIT

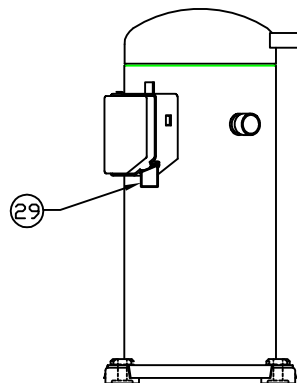
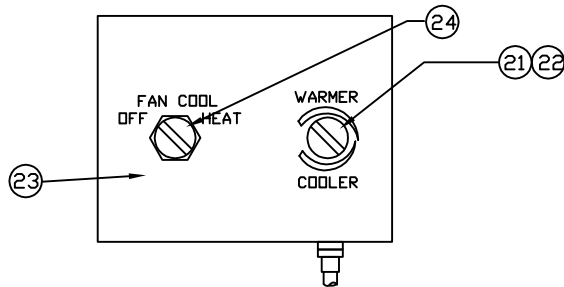


# 90MA/MU004/006 SINGLE PACKAGE COOLING UNIT

05/11/2009

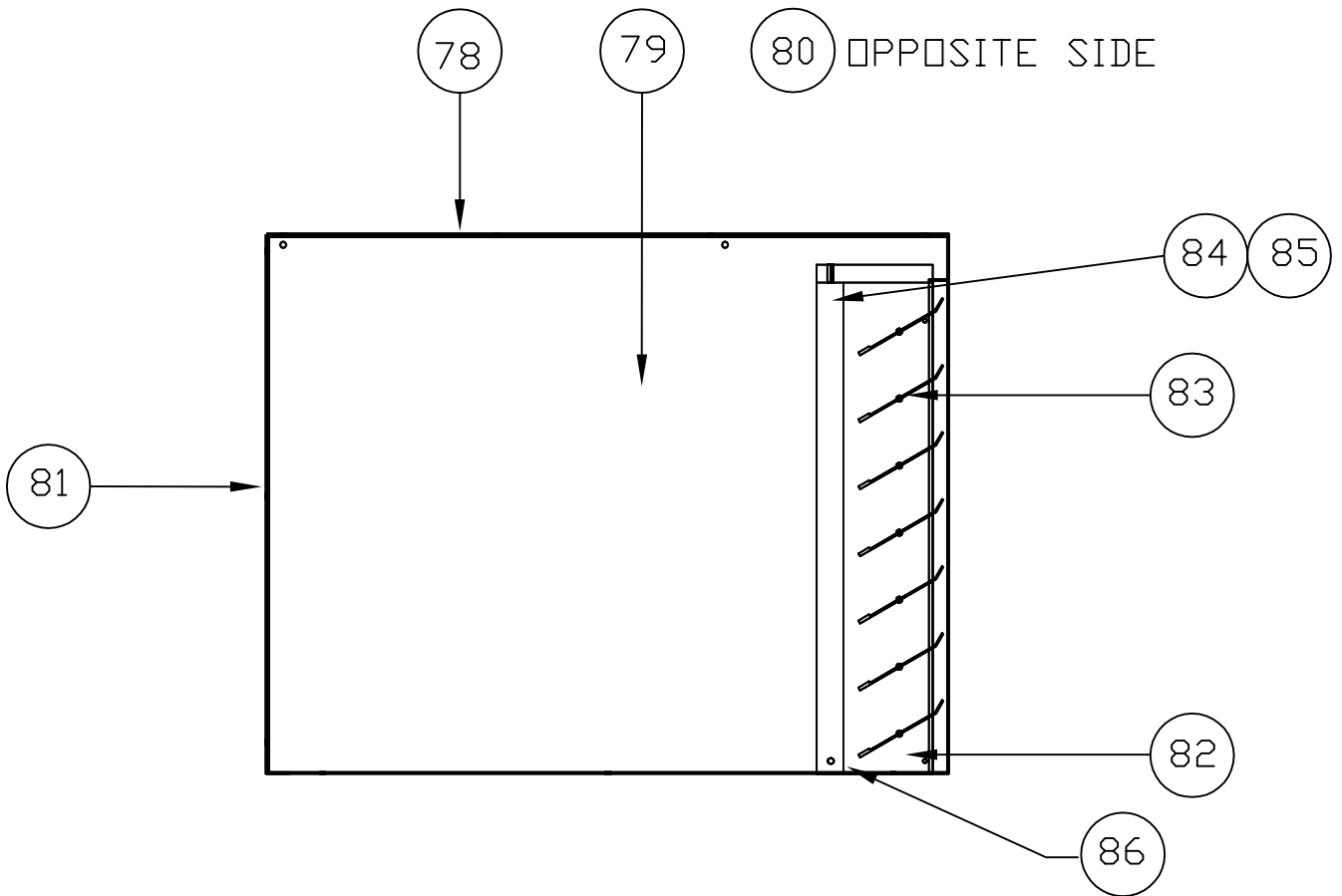


COIL W/HTR. COILS



# 90MA/MU004,006 SINGLE PACKAGE COOLING UNIT ACCESSORY

## PLENUM



**CASING GROUP****SIZE: 004-006**

ITEM	DESCRIPTION	PART NUMBER	MA/MU			
			204/404/504-531	204/404/504-631/931	206/406/506-531	206/406/506-631/931
<b>CASING GROUP</b>						
1	Insulation Assembly, LH Side	90MA006-1182	1	1	1	1
2	Insulation Assembly, Sound Panel	90MA006-1212	1	1	1	1
3	Insulation Assembly, Rear Panel	90MA006-1162	1	1	1	1
4	Mounting Angle, Coil LH	90MA006-1322	1	1	1	1
5	Mounting Angle, Coil RH	90MA006-1332	1	1	1	1
6	Insulation Assembly, Top Panel (Fan Deck)	see item 58	1	1	1	1
7	Panel Assembly, Front Top	90MA006-1192	1	1	1	1
8	Grille, Inlet	90MA006-1052	1	1	1	1
9	Panel Assembly, Front Bottom	90MA006-1202	1	1	1	1
10	Pan, Base	90MA004-1772	1	1	1	1
		90MA006-1082	-	-	1	1
11	Insulation Assembly, RH Side	90MA006-1172	1	1	1	1
12	Bracket, Switch	90MA012-1062	1	1	1	1
13	Decal	62-03382-06	1	1	1	1
14	Strike	90C02-8352	2	2	2	2
15	Catch	90C02-8362	2	2	2	2
16	Chain, Retainer	50BA515182	1	1	1	1
17	Handle, Inlet, Grille	90MA006-1072	1	1	1	1

1 1 1 1  
1 1

## REFRIGERATION COMPONENTS GROUP

SIZE: 004-006

ITEM	DESCRIPTION	PART NUMBER	90MA/MU			
			204/404/504-531	204/404/504-631/931	206/406/506-531	206/406/506-631/931
<b>REFRIGERATION COMPONENTS GROUP</b>						
39	Condensate Pan Assembly	90MA006-1092	1	1	1	1
40	Coil Assembly, Evaporator* - Includes:	50BA405594	1	1	-	-
		50BA405574	-	-	1	1
41	Tube, Feeder	50BA508472	4	4	-	-
		50BA508462	-	-	6	6
42	Distributor	EA08QC014	1	1	-	-
		EA08QC017	-	-	1	1
43	Plug, Fusible	EK02JA203	1	1	1	1
44	Drier, Filter	KH45LD065	1	1	-	-
		KH45LD118	-	-	1	1
45	Body, Schrader Valve	EC39DM061	A/R			
46	Core, Schrader Valve	EC39EZ062	A/R			
47	Cap, Flare	DD19CA061	A/R			
48	Nut, Lock	AT58AB203	3	3	3	3
49	Grommet, Compressor Foot	P041-5107	4	4	4	4
50	Sleeve, Grommet	KA56TS015	4	4	4	4
51	Coil, Condenser - 90MA Only	50BW400053	1	1	-	-
		50BW500424	-	-	1	1
52	Water Regulating Valve - 90MA	EB31DF212	1	1	1	1
53	Cap, Flare - 90MU Only	DD19DA201	2	2	2	2
54	Valve, Liquid Shut - off - 90MU Only	EP12AH181	2	2	2	2

\* - Contact Marine Systems Group for copper fin coil quote

05/11/2009

TXV GROUP

SIZE: 004 - 006

ITEM	DESCRIPTION	PART NUMBER	90MA/MU			
			204/404-531/631/931	504- 531/631/931	206/406- 531/631/931	506-531/631/931
<b>REFRIGERATION COMPONENTS GROUP - TXV USAGE</b>						
55	Valve, Expansion (TXV)	90C02-1191-04	1	-	-	-
		90C02-1191-13	-	1	-	-
		90C02-1191-05	-	-	1	-
		90C02-1191-07	-	-	-	1

**COMPRESSOR/OIL GROUP****SIZE: 004-006**

ITEM	DESCRIPTION	PART NUMBER	90MA/MU			
			204/404/504-531	204/404/504-631/931	206/406/506- 531	206/406/506-631/931
<b>COMPRESSOR/OIL GROUP</b>						
56	Compressor - 90MA/MU	90C02-4062-00	1	-	-	-
	Compressor - 90MA/MU	90C02-4062-01	-	1	-	-
	Compressor - 90MA	90C02-4062-02	-	-	1	-
	Compressor - 90MA	90C02-4062-03	-	-	-	1
	Compressor - 90MU Only	90C02-4062-04	-	-	1	-
	Compressor - 90MU Only	90C02-4062-05	-	-	-	1
57	COMPRESSOR OIL					
	90MA 204-531, 631 & 931 = 51 ounces (1.5 Liters) 90MU 204-531, 631 & 931 = 66 ounces (2 Liters)		07-00275-00P06			
	90MA 206-531, 631 & 931 = 51 ounces (1.5 Liters) 90MU 206-531, 631 & 931 = 66 ounces (2 Liters)					
	90MA 404/504-531, 631 & 931 = 51 ounces (1.5 Liters) 90MU 404/504-531, 631 & 931 = 66 ounces (2 Liters)		07-00318-00			
	90MA 406/506-531, 631 & 931 = 51 ounces (1.5 Liters) 90MU 406/506-531, 631 & 931 = 66 ounces (2 Liters)					



# FAN AND MOTOR GROUP

SIZE: 004-006

ITEM	DESCRIPTION	PART NUMBER	90MA/MU			
			204/404/504-531	204/404/504-631/931	206/406/506-531	206/406/506-631/931
<b>FAN AND MOTOR GROUP</b>						
58	Insulation Assembly, Top Panel	90MA004-1352	1	1	-	-
		90MA006-1232	-	-	1	1
59	Housing Assembly, Blower	90C02-7772-02	1	1	-	-
		90C02-7782-02	-	-	1	1
60	Bearing, Fan	90C02-7772-06	1	1	-	-
		90C02-7782-06	-	-	1	1
61	Wheel, Blower	90C02-7772-01	1	1	-	-
		90C02-7782-01	-	-	1	1
62	Mounting Plate Assembly, Motor	90MA006-1812	1	1	1	1
63	Motor, Indoor Fan (IFM)	90C02-1321-00	1	1	-	-
		90C02-1321-01	-	-	1	1
64	Bracket, Motor	90MA006-1292	1	1	1	1
65	Shaft, Fan	90C02-7772-05	1	1	-	-
		90C02-7782-05	-	-	1	1
66	Key, Blower Pulley	AW01DA053	1	1	1	1
67	Blower Pulley	KR11AF408	1	1	1	1
68	Motor Pulley, Standard	P461-3505	1	1	1	1
69	Belt	P465-4L460	1	1	-	-
		P465-4L430	-	-	1	1
70	Cut Off	90C02-7772-03	1	1	-	-
		90C02-7782-03	-	-	1	1
71	Cut Off Hardware	90C02-7772-04	1	1	1	1

**FILTER AND ACCESSORY GROUP****SIZE: 004-006**

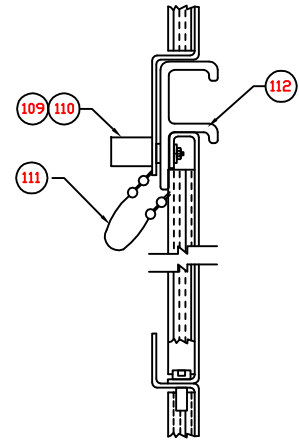
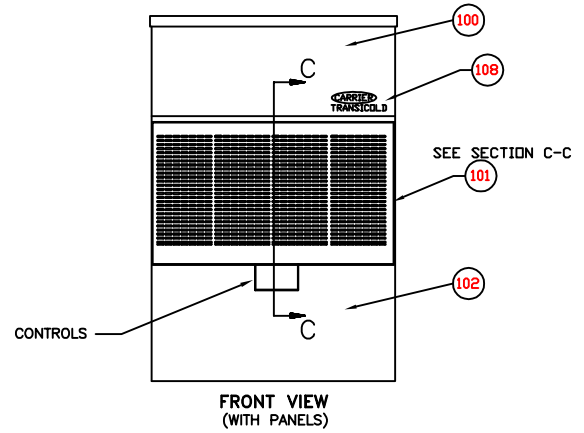
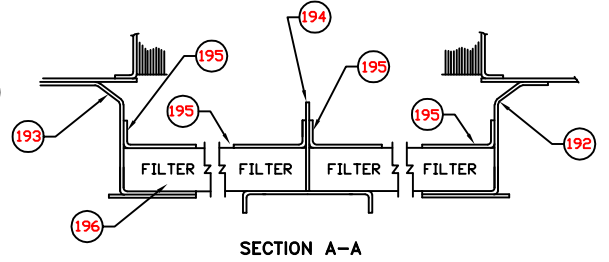
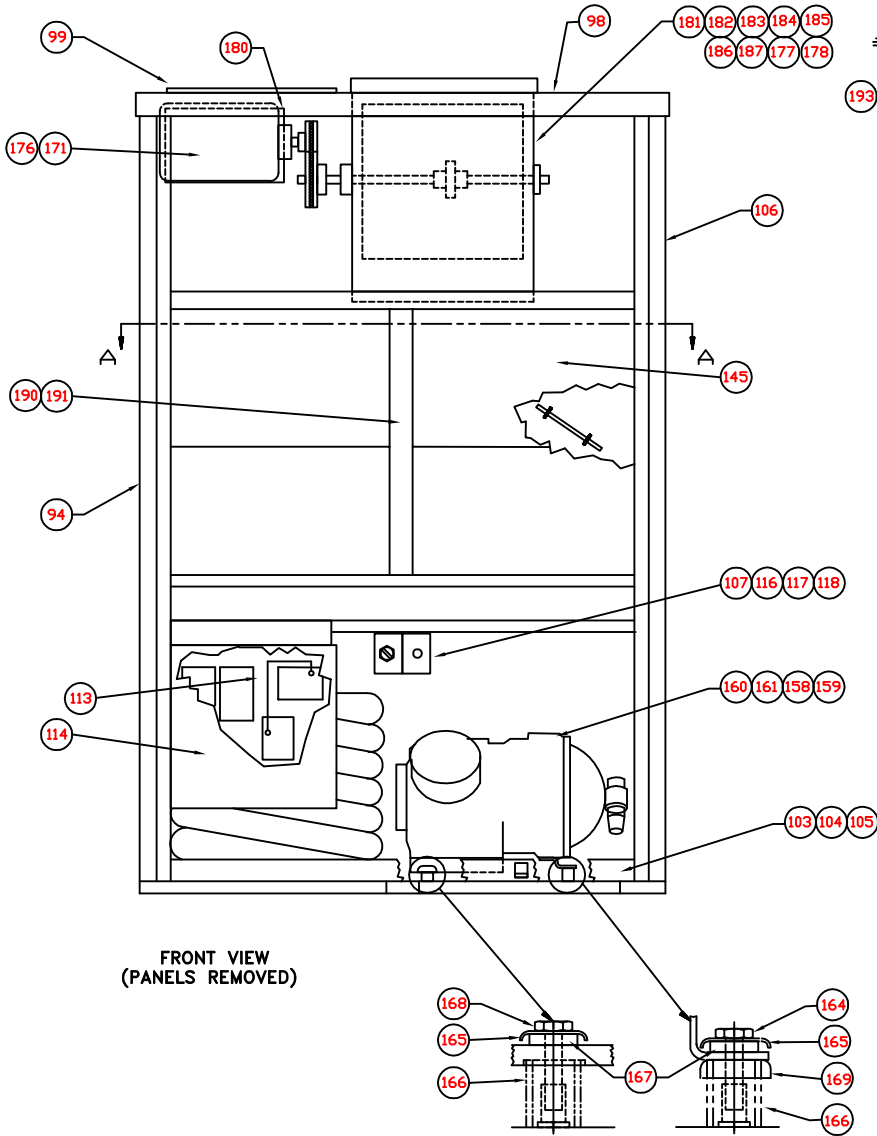
ITEM	DESCRIPTION	PART NUMBER	90MA/MU			
			204/404/504 -531	204/404/504 -631/931	206/406/506 -531	206/406/506- 631/931
<b>FILTER GROUP</b>						
72	Baffle, Top	90MA006-1252	1	1	1	1
73	Side Filter Rack	90MA006-1262	1	1	1	1
74	Filter Angle, Top	90MA006-1222-01	1	1	1	1
75	Filter Angle, Bottom	90MA006-1222-02	1	1	1	1
76	Filter, Air	KH03DU330	2	2	2	2
<b>ACCESSORY GROUP</b>						
77	Plenum, Discharge - Includes:	50BA900161	1	1	1	1
78	Insulation Assembly, Top	90MA900161-00	1	1	1	1
79	Panel, Side LH	90MA900161-01	1	1	1	1
80	Panel, Side RH	90MA900161-02	1	1	1	1
81	Back, Plenum	90MA900161-03	1	1	1	1
82	Inner Frame, Plenum	90MA900161-04	1	1	1	1
83	Deflector, Air	90MA900161-06	7	7	7	7
84	Vane, Vertical	90MA900161-07	16	16	16	16
85	Cushion, Vertical Blade	50BA516222	2	2	2	2
86	Vane Support, Bottom	90MA900161-05	1	1	1	1

**ELECTRIC HEAT GROUP**

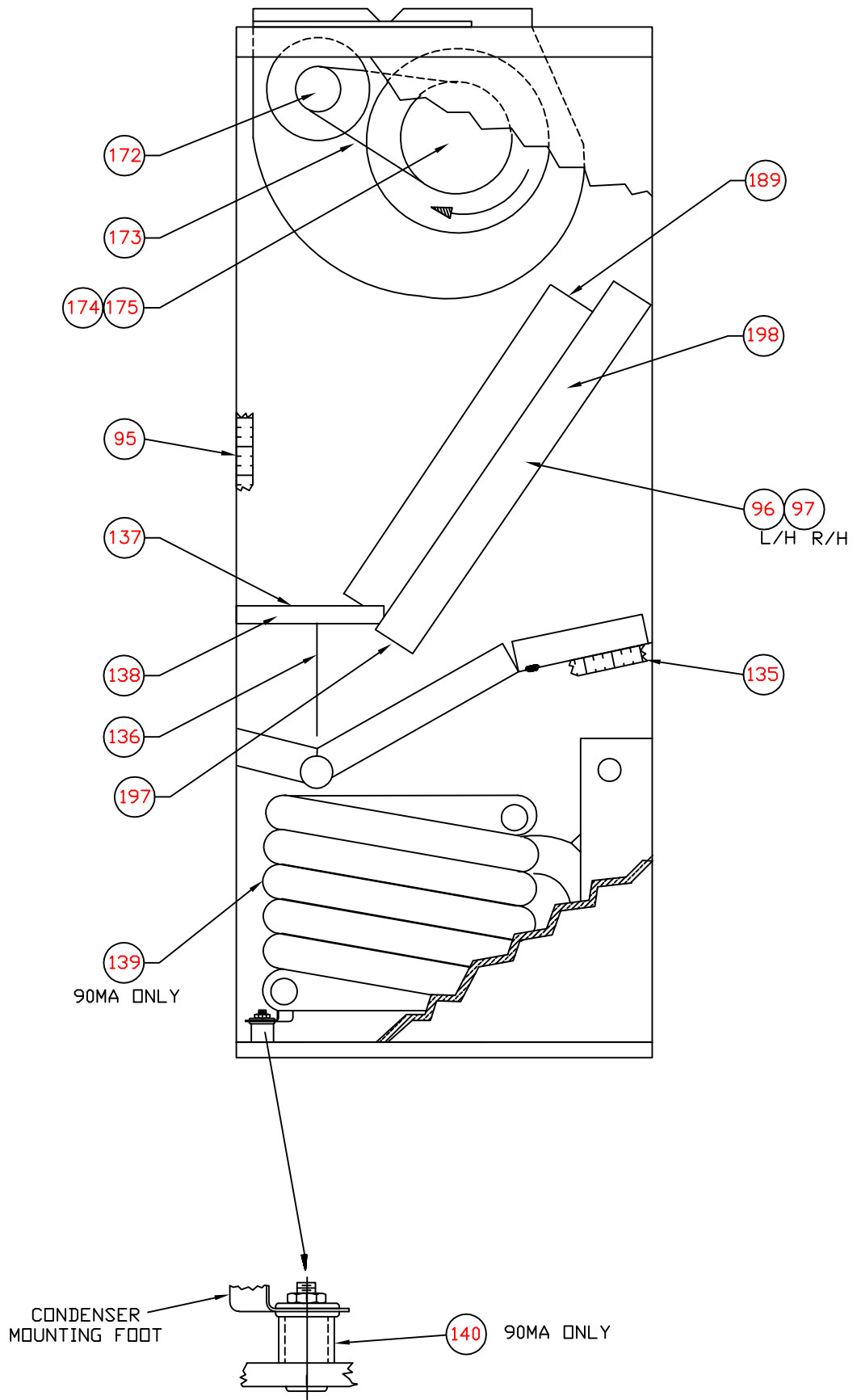
**SIZE: 004 & 006**

ITEM	DESCRIPTION	PART NUMBER	90MA/MU			
			212/412/512-531	212/412/512-631/931	312- 531	312-631/931
<b>ELECTRIC HEAT GROUP</b>						
87	Heater Element 5.25kw @ 460v	90MA008-662-EH	1	1	1	1
88	Heater Relay	HN53CC024	1	1	1	1
89	Switch, Snap Action (Auto Reset)	90MA004-702-EH	1	1	1	1
90	Switch, Snap Action Cap (Manual Reset)	90MA04-692-02-EH	1	1	1	1
90A	Time Delay Relay	90MA04-692-03-EH	1	1	1	1
91	Switch, Air	12-00303-01	1	1	1	1
92	Fitting, Air Sensing	58-00793-00	1	1	1	1
93	Grommet	10053-02176	1	1	1	1

# 90MA/MU008 SINGLE PACKAGE COOLING UNIT

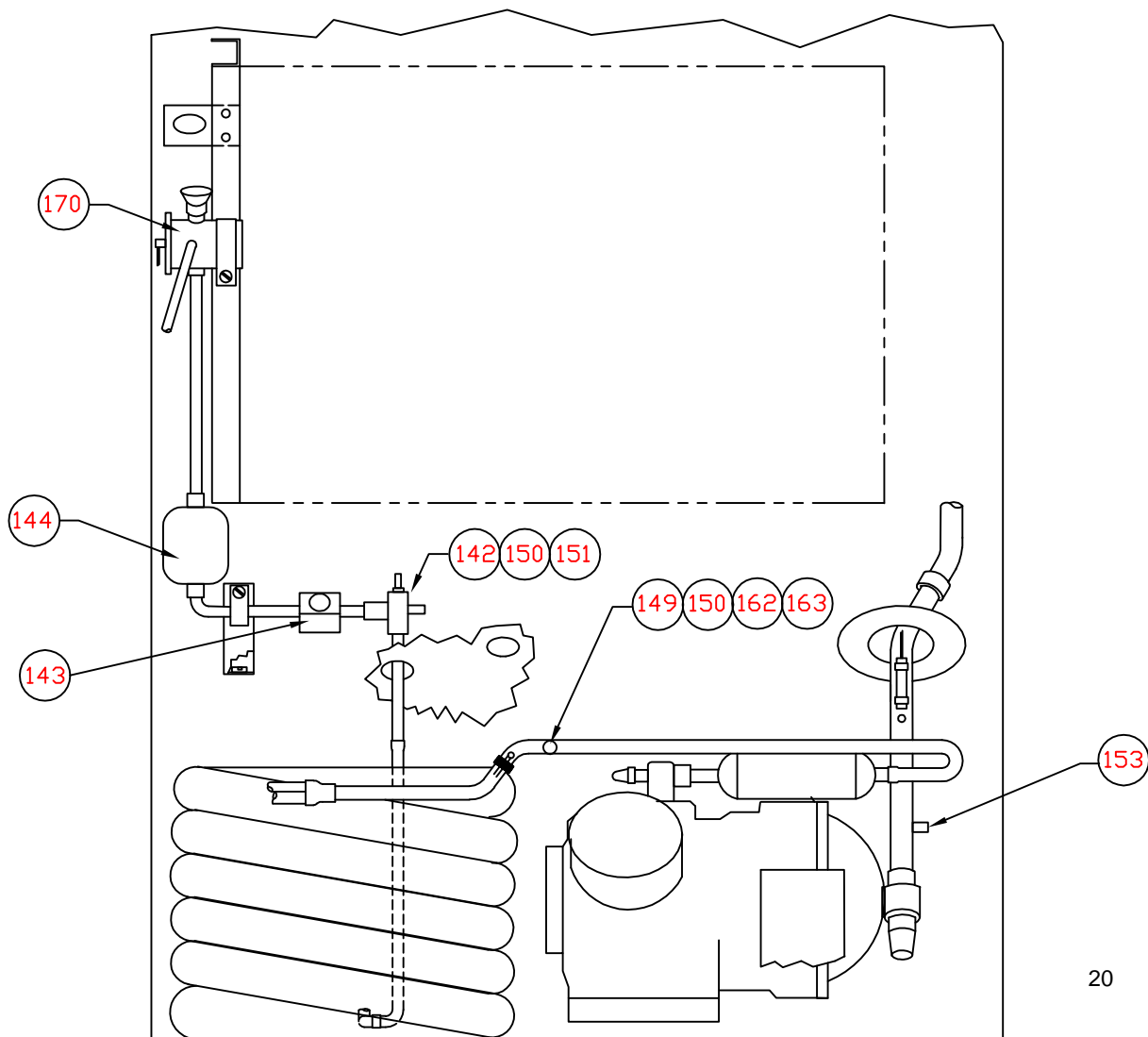
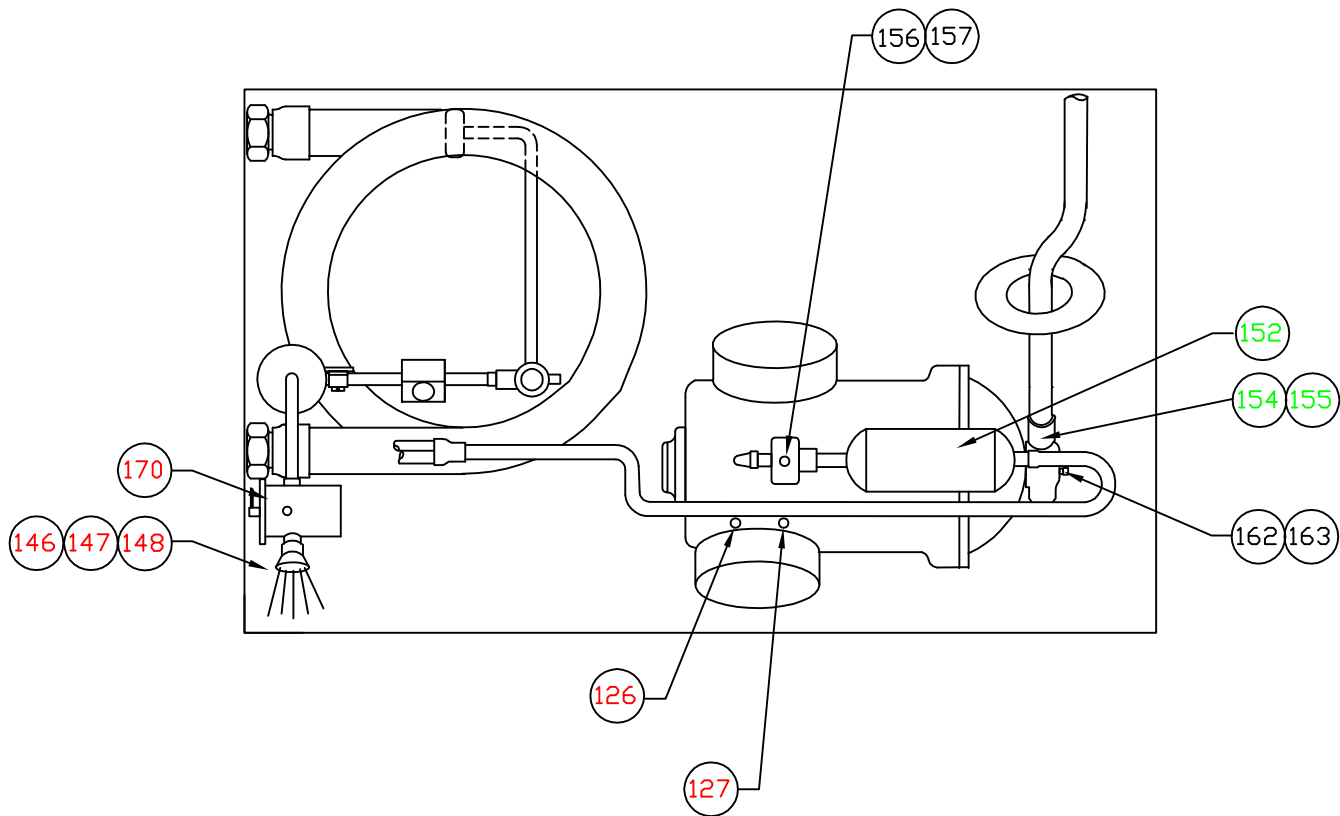


# 90MA/MU008 SINGLE PACKAGE COOLING UNIT

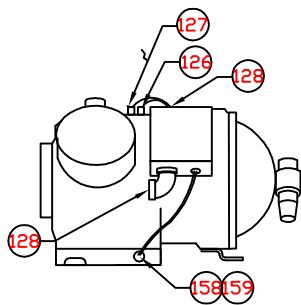
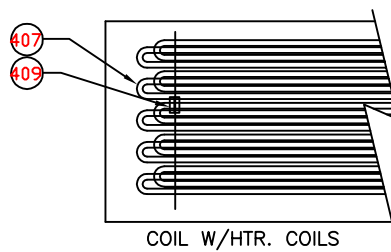
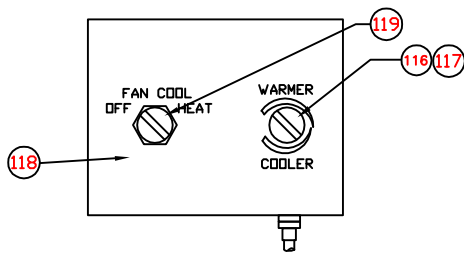
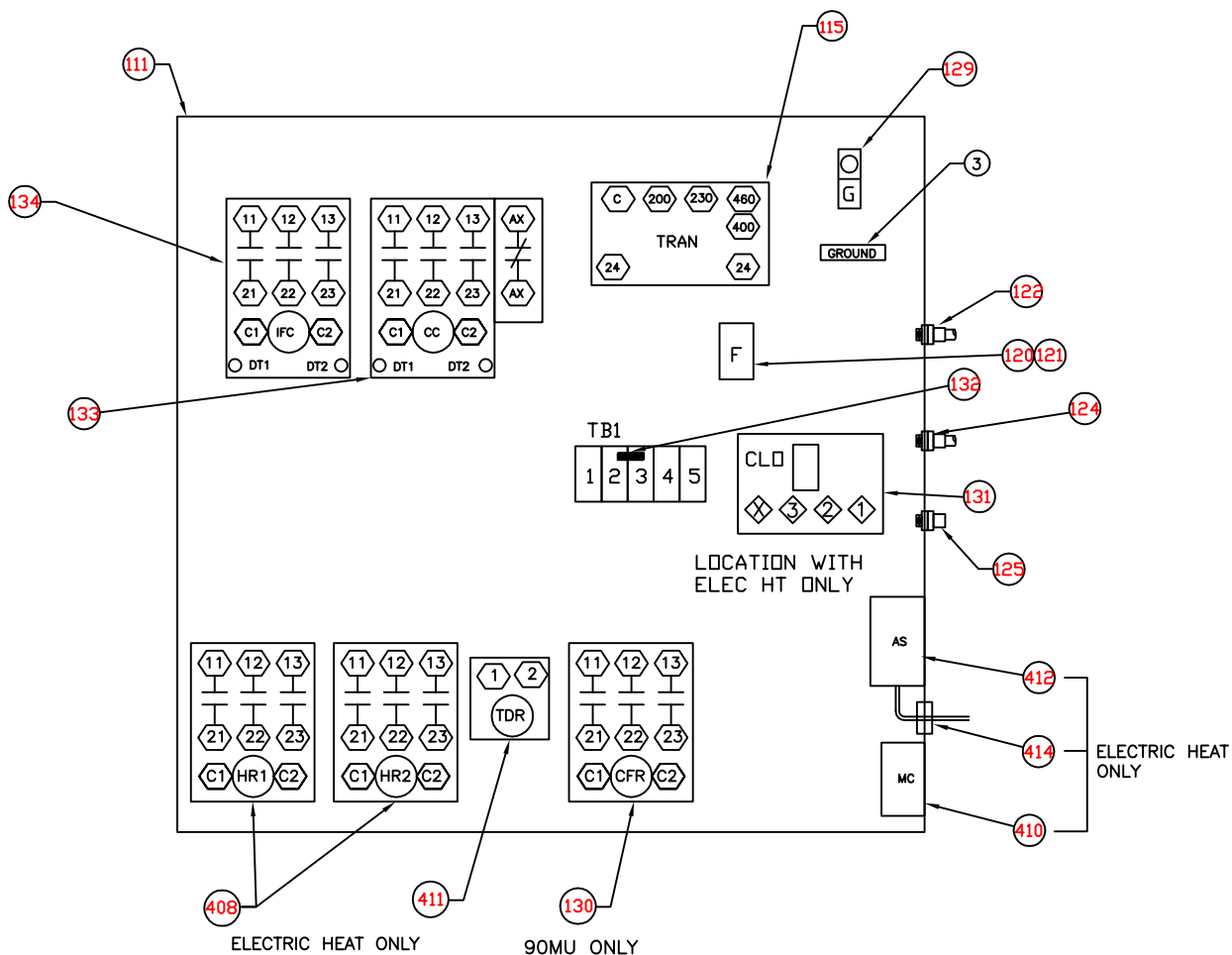


# 90MA/MU008 SINGLE PACKAGE COOLING UNIT

05/11/2009



# 90MA/MU008 SINGLE PACKAGE COOLING UNIT



**CASING GROUP****SIZE: 008**

ITEM	DESCRIPTION	PART NUMBER	90MA/MU			
			208/408/508-531	208/408/508-631/931	308-531	308-631/931
<b>CASING GROUP</b>						
94	Panel, LH Side	90MA012-1642	1	1	1	1
95	Insulation Assembly, Rear Panel	90MA012-1382	1	1	1	1
96	Mounting Angle, Coil LH	90MA012-1992	1	1	1	1
97	Mounting Angle, Coil RH	90MA012-1882	1	1	1	1
98	Insulation Assembly, Top Panel (Fan Deck)	see item 179	1	1	1	1
99	Plate, Cover	90MA012-1432	1	1	1	1
100	Panel Assembly, Front Top	90MA012-1482	1	1	1	1
101	Grille, Inlet	90MA012-1492	1	1	1	1
102	Panel Assembly, Front Bottom	90MA012-1542	1	1	1	1
103	Pan, Base	90MA012-1622	1	1	1	1
104	Compressor Mounting Rail - Outer	90MA012-1652-02	1	1	1	1
105	Compressor Mounting Rail - Inner	90MA012-1652-03	1	1	1	1
106	Panel, RH Side	90MA012-1632	1	1	1	1
107	Bracket, Switch	90MA012-1062	1	1	1	1
108	Decal	62-03382-06	1	1	1	1
109	Strike	KA06KM025	2	2	2	2
110	Spring Catch	KA07AH035	2	2	2	2
111	Chain, Retainer	50BA515182	2	2	2	2
112	Handle, Inlet Grille	90MA012-1072	1	1	1	1





## REFRIGERATION COMPONENTS GROUP

SIZE: 008

ITEM	DESCRIPTION	PART NUMBER	90MA/MU			
			208/408/508-531	208/408/508-631/931	308- 531	308-631/931
<b>REFRIGERATION GROUP</b>						
135	Condensate Pan Assembly, Lower	90MA012-1882	1	1	1	1
136	Drip Conductor, Condensate	50K8-7112	3	3	3	3
137	Condensate Pan Assembly, Upper	90MA012-1372	1	1	1	1
138	Angle, Upper Drain Pan	90MA012-1362-01	1	1	1	1
139	Coil, Condenser - 90MA Only	50BW400034	1	1	1	1
140	Sleeve, Condenser Mounting - 90MA	KA56TS014	1	1	1	1
141	Water Regulating Valve - 90MA Only (NOT SHOWN)	EB31DF214	1	1	1	1
142	Service Valve, Liquid Line - 90MA	EP12BH211	1	1	1	1
143	Indicator, Liquid	90C02-1351-00	1	1	1	1
144	Drier, Filter	90C02-1341-00	1	1	1	1
145	Coil Assembly, Evaporator * - Includes:	90MA008-192	1	1	1	1
146	Distributor	EA07HC049	1	1	1	1
147	Nozzle (R-22, 407C)	EA19CY907	1	1	1	1
148	Nozzle (R-134a, 404A)	EA19CY911	1	1	1	1
149	Cap, Flare	DD19CA061	3	3	3	3
150	Valve Assembly (Schrader)	06DA403844	2	2	2	2
151	Cap, Valve Stem	99CC501-092	1	1	1	1
152	Muffler 90MA Only	38BA400603	1	1	1	1
	Muffler 90MU Only	50BA515482	1	1	-	-
153	Plug, Fusible	EK02JA203	1	1	1	1
154	Service Valve, Compressor Suction	EN07AA348	1	1	-	-
		EN07EA033	-	-	1	1
155	Valve Gasket, Suction	6D401131	1	1	-	-
		6D681131	-	-	1	1
156	Service Valve, Compressor Discharge	EN07AA271	1	1	1	1
157	Valve Gasket, Discharge	6D231421	1	1	1	1

\* - The complete model number is required to ensure the correct nozzle is installed.

Contact Marine Systems Group for copper fin coil quote.

**REFRIGERATION COMPONENTS GROUP - Continued**

**SIZE: 008**

ITEM	DESCRIPTION	PART NUMBER	90MA/MU			
			208/408/508-531	208/408/508-631/931	308-531	308-631/931
158	Heater, Crankcase (CCH)	HT36XS574	1	-	1	-
		HT36DL480	-	1	-	1
159	Clip, Crankcase Heater	AS81VF056	1	1	1	1
160	Compressor	06DR7186DA325A	-	-	1	-
		06DR7186DA365A	-	-	-	1
		06DA8182AA325A	1	-	-	-
		06DA8182AA365A	-	1	-	-
161	Oil, Compressor 5.5 Pints (2.6 Liters)	07-00275-00P06	MA/MU208 UNITS			
		07-00405-00	MA/MU308, 408 & 508 UNITS			
162	Valve Body (Schrader)	EC39DM061	1	1	1	1
163	Core (Schrader)	EC39EZ062	1	1	1	1
164	Bolt, Compressor Mounting, 3/8-16 x 1-3/4	PL	2	2	2	2
165	Washer, Snubber	6D73-2251	4	4	4	4
166	Mounting Spring, Compressor	50AK4-1231	4	4	4	4
167	Snubber	6D73-2241	4	4	4	4
168	Bolt, Compressor Mounting, 3/8-16 x 1-1/4	PL	2	2	2	2
169	Cup, Spring	50K4-1221	2	2	2	2

05/11/2009

# TXV GROUP

SIZE: 008

ITEM	DESCRIPTION	PART NUMBER	90MA/MU			
			208/408-531/631/931	508- 531/631/931	308- 531/631/931	
<b>REFRIGERATION COMPONENTS GROUP - TXV USAGE</b>						
170	Valve, Expansion (TXV)	90C02-1191-00	1	-	-	
		90C02-1191-08	-	1	-	
		90C02-1191-01	-	-	1	

# FAN AND MOTOR GROUP

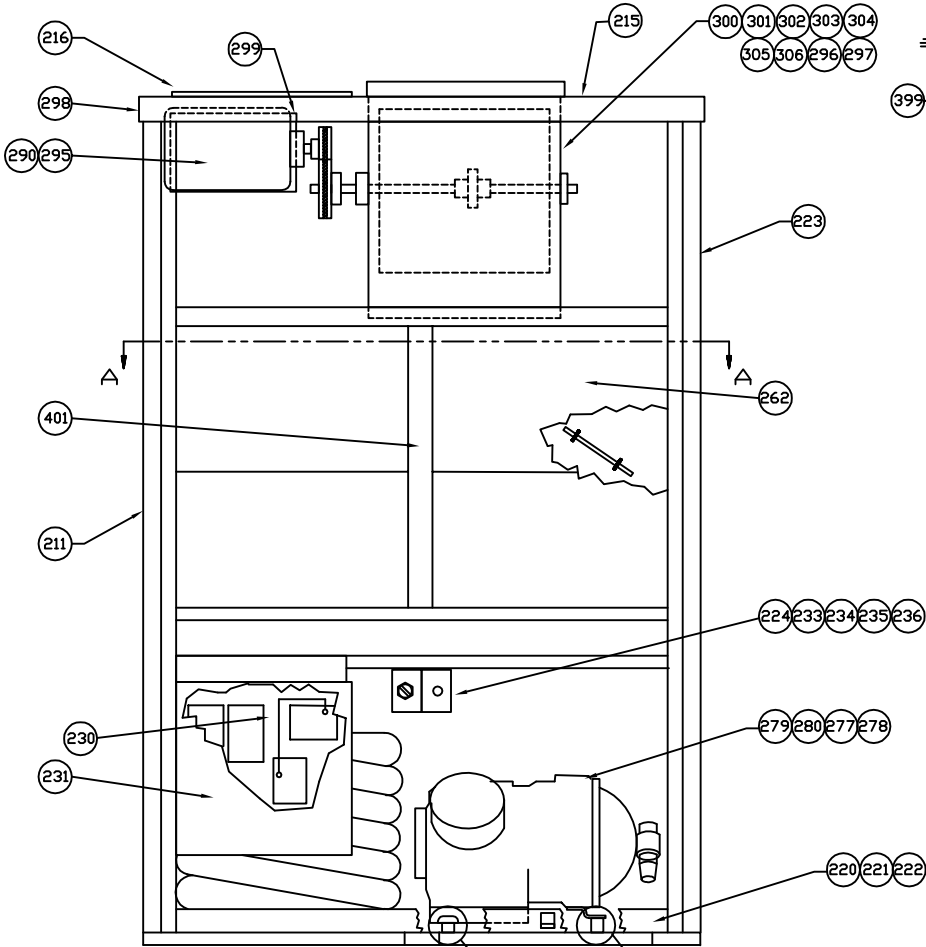
SIZE: 008

ITEM	DESCRIPTION	PART NUMBER	90MA/MU			
			208/408/508-531	208/408/508-631/931	308- 531	308-631/931
<b>FAN AND MOTOR GROUP</b>						
171	Motor, Indoor Fan (IFM)	90C02-1321-02	1	1	1	1
172	Motor Pulley, Standard	KR11HY161	1	1	1	1
173	Belt	P465-4L380	1	1	1	1
174	Pulley, Blower	KR11AH512	1	1	1	1
175	Key, Blower Pulley	AW01DA053	1	1	1	1
176	Angle Assembly, Motor Plate	90MA012-1582	1	1	1	1
177	Reinforcing Angle, Left	90MA012-1592	1	1	1	1
178	Reinforcing Angle, Right	90MA012-1602	1	1	1	1
179	Deck Assembly, Fan - Includes	90MA012-1872	1	1	1	1
180	Mounting Plate, Motor	90MA012-1612	1	1	1	1
181	Blower Assembly – Includes	90MA012-1862				
182	Wheel, Blower	90C02-7792-01	1	1	1	1
183	Housing	90C02-7792-02	1	1	1	1
184	Cutoff	90C02-7792-03	1	1	1	1
185	C/O Hardware Bag	90C02-7792-04	1	1	1	1
186	Shaft	90C02-7792-05	1	1	1	1
187	Bearings (pair)	90C02-7792-06	1	1	1	1
188	Fan Deck/Blower Assembly Pkg – Includes	90MA400001	1	1	1	1
179	Fan Deck Assembly	90MA012-1872	1	1	1	1
181	Blower Assembly	90MA012-1862	1	1	1	1
99	Motor Cover Plate	90MA012-1432	1	1	1	1

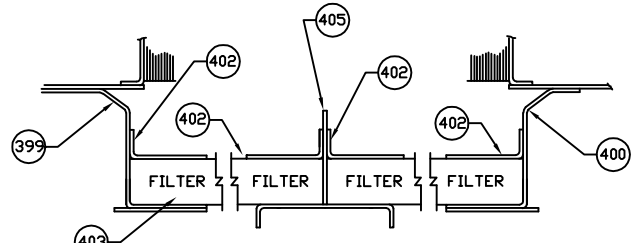
**FILTER AND ACCESSORY GROUP****SIZE: 008**

ITEM	DESCRIPTION	PART NUMBER	90MA/MU			
			208/408/508 -531	208/408/508 -631/931	308 - 531	308 - 631/931
<b>FILTER GROUP</b>						
189	Baffle, Top	90MA012-1722	1	1	1	1
190	Filter Center Spacer, Front	90MA012-1692-01	1	1	1	1
191	Filter Center Spacer, Rear	90MA012-1692-02	1	1	1	1
192	Baffle, Filter RH	90MA012-2022	1	1	1	1
193	Baffle, Filter LH	90MA012-1972	1	1	1	1
194	Support, Filter Center	90MA012-1452	1	1	1	1
195	Filter Angle	90MA012-1442	4	4	4	4
196	Filter, Air	KH03DU320	4	4	4	4
197	Filter Channel	90MA012-1422	1	1	1	1
198	Side Angle, Blank Off	90MA012-1362-01	1	1	1	1
<b>ACCESSORY GROUP</b>						
199	Plenum, Discharge - Includes:	50BA900171	1	1	1	1
200	Insulation Assembly, Top	90BA900171-00	1	1	1	1
201	Back, Plenum	90BA900171-01	1	1	1	1
202	Panel, RH side	90BA900171-02	1	1	1	1
203	Panel, Side LH	90BA900171-03	1	1	1	1
204	Inner Frame, Plenum	90BA900171-04	1	1	1	1
205	Deflector, Air	90BA900171-05	14	14	14	14
206	Vane, Vertical	90BA900171-06	22	22	22	22
207	Cushion, Vertical Blade	50BA516222	2	2	2	2
208	Vane Support, Bottom	90BA900171-07	1	1	1	1
209	Cushion, Center and Frame	50BA516242	2	2	2	2
210	Support, Center	90BA900171-08	1	1	1	1

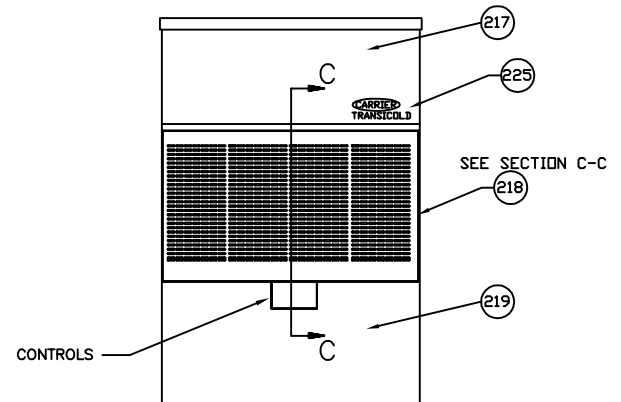
# 90MA/MU012 Single Package Cooling Unit



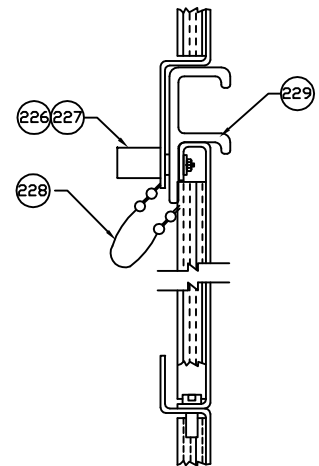
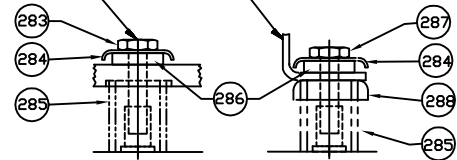
FRONT VIEW  
(PANELS REMOVED)



SECTION A-A



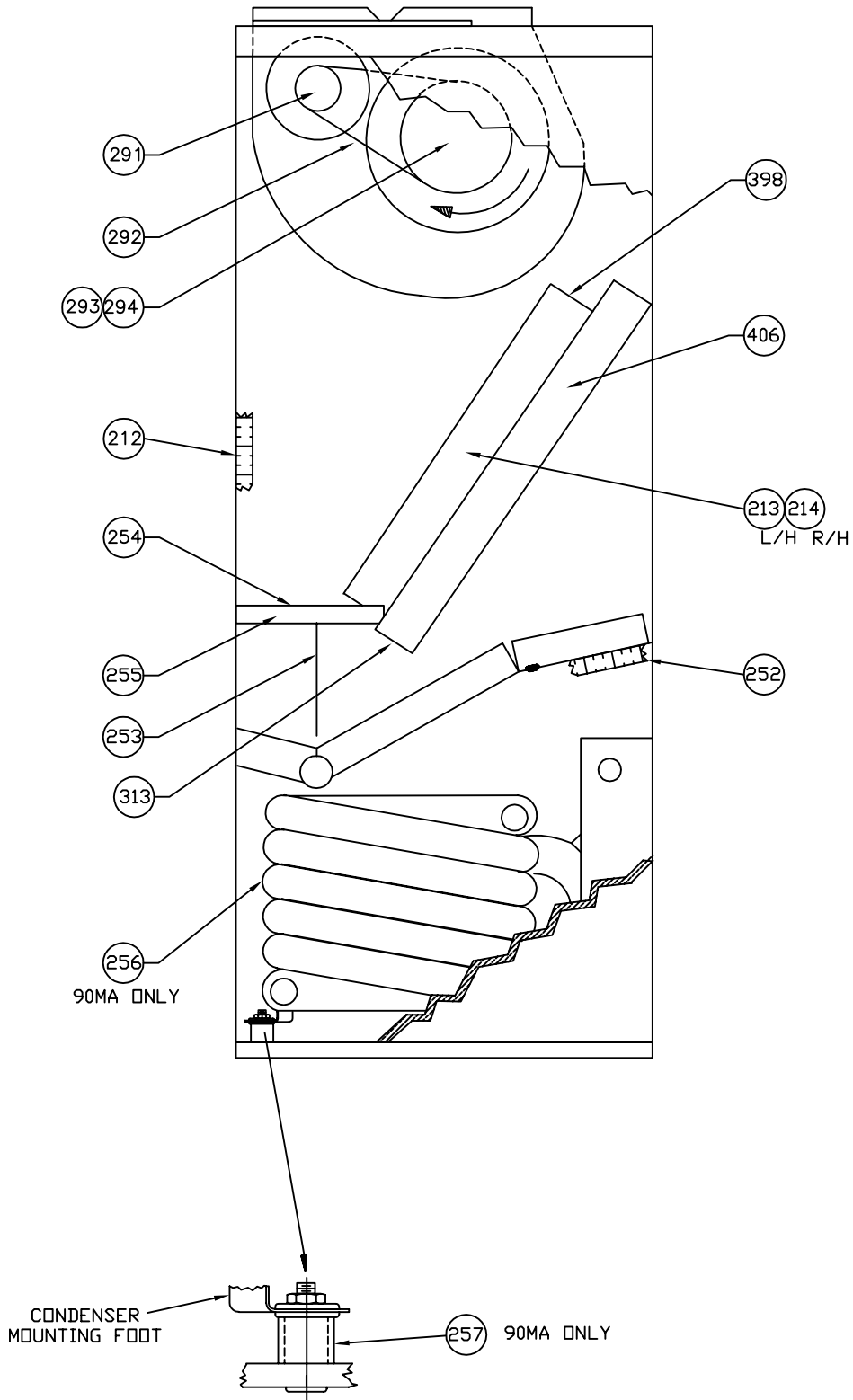
FRONT VIEW  
(WITH PANELS)



SECTION C-C

# 90MA/MU012 SINGLE PACKAGE COOLING UNIT

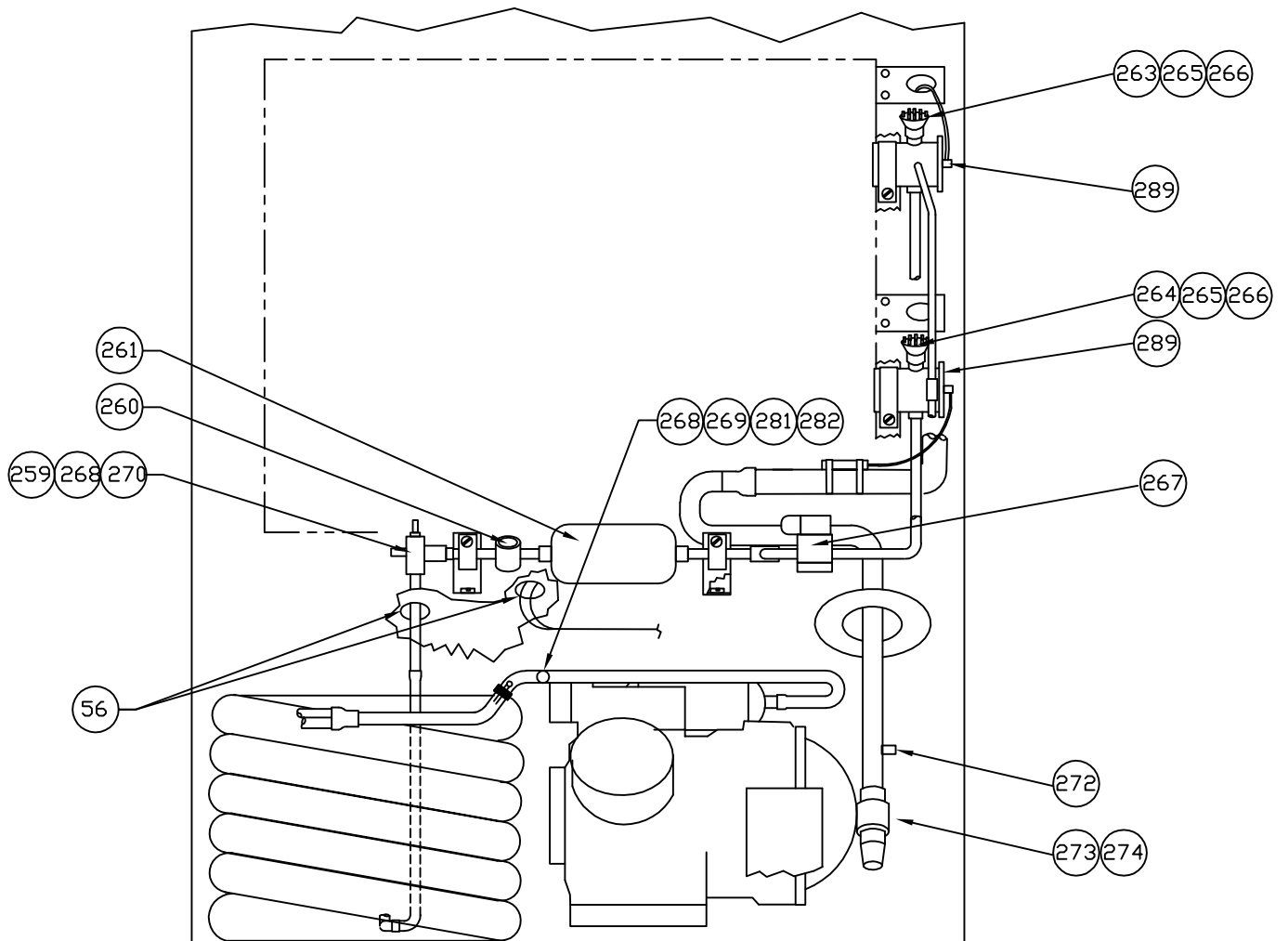
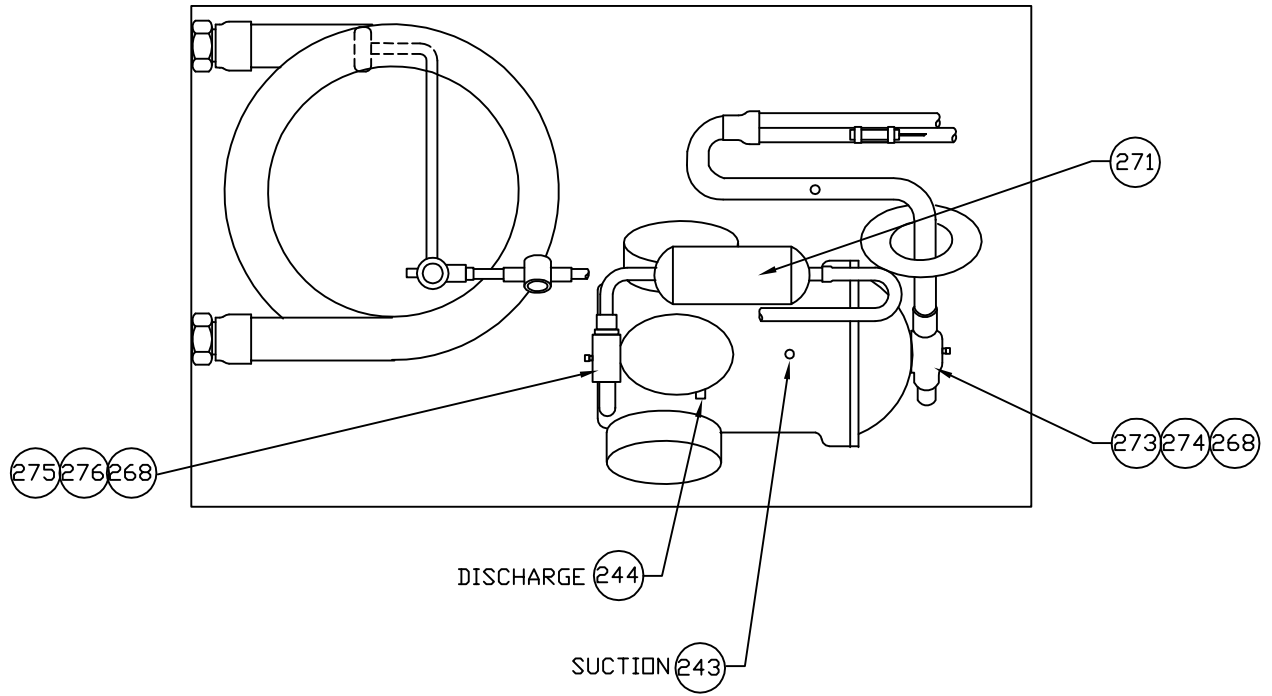
05/11/2009





# 90MA012 SINGLE PACKAGE COOLING UNIT

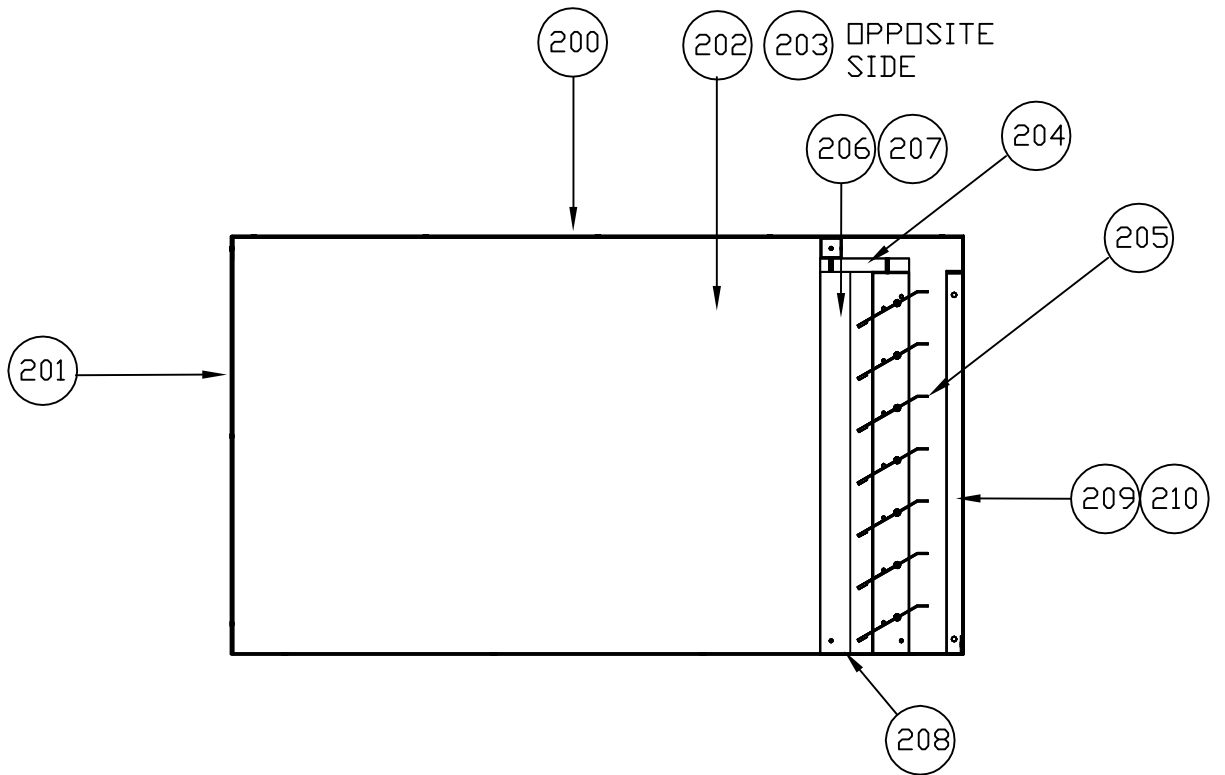
05/11/2009





# 90MA008; 012 SINGLE PACKAGE COOLING UNIT ACCESSORY

## PLENUM



**CASING GROUP****SIZE: 012**

ITEM	DESCRIPTION	PART NUMBER	90MA/MU			
			212/412/512-531	212/412/512-631/931	312- 531	312-631/931
<b>CASING GROUP</b>						
211	Panel, LH Side	90MA012-1642	1	1	1	1
212	Insulation Assembly, Rear Panel	90MA012-1382	1	1	1	1
213	Mounting Angle, Coil LH	90MA012-1702	1	1	1	1
214	Mounting Angle, Coil RH	90MA012-1692	1	1	1	1
215	Insulation Assembly, Top Panel (Fan Deck)	90MA012-1872	1	1	1	1
216	Plate, Cover	90MA012-1432	1	1	1	1
217	Panel Assembly, Front Top	90MA012-1482	1	1	1	1
218	Grille, Inlet	90MA012-1492	1	1	1	1
219	Panel Assembly, Front Bottom	90MA012-1542	1	1	1	1
220	Pan, Base	90MA012-1622	1	1	1	1
221	Compressor Mounting Rail - Outer	90MA012-1652-00	1	1	1	1
222	Compressor Mounting Rail - Inner	90MA012-1652-01	1	1	1	1
223	Panel, RH Side	90MA012-1632	1	1	1	1
224	Bracket, Switch	90MA012-1062	1	1	1	1
225	Decal	62-03382-06	1	1	1	1
226	Strike	KA06KM025	2	2	2	2
227	Spring Catch	KA07AH035	2	2	2	2
228	Chain, Retainer	50BA515182	2	2	2	2
229	Handle, Inlet Grille	90MA012-1072	1	1	1	1



## REFRIGERATION COMPONENTS GROUP

SIZE: 012

ITEM	DESCRIPTION	PART NUMBER	90MA/MU			
			212/412/512-531	212/412/512-631/931	312- 531	312-631/931
<b>REFRIGERATION COMPONENTS GROUP</b>						
252	Condensate Pan Assembly, Lower	90MA012-1882	1	1	1	1
253	Drip Conductor, Condensate	50K8-7112	3	3	3	3
254	Condensate Pan Assembly, Upper	90MA012-1272	1	1	1	1
255	Angle, Upper Drain Pan	90MA012-1362-01	1	1	1	1
256	Coil, Condenser - 90MA Only	50BW400034	1	1	1	1
257	Sleeve, Condenser Mounting - 90MA	KA56TS014	1	1	1	1
258	Water Regulating Valve - 90MA	EB31DF214	1	1	1	1
259	Service Valve, Liquid Line - 90MA	EP12BH211	1	1	1	1
260	Indicator, Liquid	90C02-1351-00	1	1	1	1
261	Drier, Filter	90C02-1341-00	1	1	1	1
262	Coil Assembly, Evaporator * - Includes:	90MA012-192	1	1	1	1
263	Distributor, Upper	EA07HC047	1	1	1	1
264	Distributor, Lower	EA07HC048	1	1	1	1
265	Nozzle (R-22, 407C)	EA19CY904	2	2	2	2
266	Nozzle (R-134a, 404A)	EA19CY906	2	2	2	2
267	Solenoid Valve, Liquid Line	90C02-1361-00	1	1	1	1
268	Cap, Flare	DD19CA061	3	3	3	3
269	Valve Assembly (Schrader)	06DA403844	2	2	2	2
270	Cap, Valve Stem	99CC501-092	1	1	1	1
271	Muffler 90MA Only	38BA400603	1	1	1	1
	Muffler 90MU Only	50BA515482	1	1	-	-
272	Plug, Fusible	EK02JA203	1	1	1	1
273	Service Valve, Compressor Suction	EN07AA348	1	1	-	-
		EN07EA033	-	-	1	1
274	Valve Gasket, Suction	6D401131	1	1	-	-
		6D681131	-	-	1	1
275	Service Valve, Compressor Discharge	EN07AA271	1	1	1	1
276	Valve Gasket, Discharge	6D231421	1	1	1	1

\* - The complete model number is required to ensure correct nozzles are installed.

Contact Marine Systems Group for copper fin coil quote.

## REFRIGERATION COMPONENTS GROUP - Continued

SIZE: 012

ITEM	DESCRIPTION	PART NUMBER	90MA/MU			
			212/412/512-531	212/412/512-631/931	312-531	312-631/931
277	Heater, Crankcase (CCH)	HT36XS574	1	-	1	-
		HT36DL480	-	1	-	1
278	Clip, Crankcase Heater	AS81VF056	1	1	1	1
279	Compressor	06DR7250DA327A	-	-	1	-
		06DR7250DA367A	-	-	-	1
		06DF2250AA1250	1	-	-	-
		06DF7250AA065A	-	1	-	-
280	Oil, Compressor 1.0 Gallon (3.8 Liters)	07-00275-00P06	MA/MU212 UNITS			
		07-00405-00	MA/MU312, 412 & 512 UNITS			
281	Valve Body (Schrader)	EC39DM061	1	1	1	1
282	Core (Schrader)	EC39EZ062	1	1	1	1
283	Bolt, Compressor Mounting, 3/8-16 x 1-3/4	PL	2	2	2	2
284	Washer, Snubber	6D73-2251	4	4	4	4
285	Mounting Spring, Compressor	50AK4-1231	4	4	4	4
286	Snubber	6D73-2241	4	4	4	4
287	Bolt, Compressor Mounting, 3/8-16 x 1-1/4	PL	2	2	2	2
288	Cup, Spring	50K4-1221	2	2	2	2

**REFRIGERATION COMPONENTS GROUP - Continued SIZE: 012**

ITEM	DESCRIPTION	PART NUMBER	90MA/MU			
			212/412-531/631/931	512- 531/631/931	312- 531/631/931	
<b>REFRIGERATION COMPONENTS GROUP - TXV USAGE</b>						
289	Valve, Expansion (TXV)	90C02-1191-02	2	-	-	
		90C02-1191-11	-	2	-	
		90C02-1191-03	-	-	2	



05/11/2009

**FAN AND MOTOR GROUP****SIZE: 012**

ITEM	DESCRIPTION	PART NUMBER	90MA/MU			
			212/412/512-531	212/412/512-631/931	312- 531	312-631/931
<b>FAN AND MOTOR GROUP</b>						
290	Motor, Indoor Fan (IFM)	90C02-1321-03	1	1	1	1
291	Motor Pulley, Standard	KR11HY161	1	1	1	1
292	Belt	KR30AE033	1	1	1	1
293	Pulley, Blower	KR11AG012	1	1	1	1
294	Key, Blower Pulley	AW01DA053	1	1	1	1
295	Angle Assembly, Motor Plate	90MA012-1582	1	1	1	1
296	Reinforcing Angle, Left	90MA012-1592	1	1	1	1
297	Reinforcing Angle, Right	90MA012-1602	1	1	1	1
298	Deck Assembly, Fan - Includes	90MA012-1872	1	1	1	1
299	Mounting Plate, Motor	90MA012-1612	1	1	1	1
300	Blower Assembly – Includes	90MA012-1862				
301	Wheel, Blower	90C02-7792-01	1	1	1	1
302	Housing	90C02-7792-02	1	1	1	1
303	Cutoff	90C02-7792-03	1	1	1	1
304	C/O Hardware Bag	90C02-7792-04	1	1	1	1
305	Shaft	90C02-7792-05	1	1	1	1
306	Bearings (pair)	90C02-7792-06	1	1	1	1
307	Fan Deck/Blower Assembly Pkg – Includes	90MA400001	1	1	1	1
298	Fan Deck Assembly	90MA012-1872	1	1	1	1
300	Blower Assembly	90MA012-1862	1	1	1	1
216	Motor Cover Plate	90MA012-1432	1	1	1	1

**FILTER AND ACCESSORY GROUP****SIZE: 012**

ITEM	DESCRIPTION	PART NUMBER	90MA/MU			
			212/412/512 -531	212/412/512 -631/931	312- 531	312- 631/931
<b>FILTER GROUP</b>						
308	Baffle, Top	90MA012-1392	1	1	1	1
309	Baffle, Filter LH	90MA012-2022	1	1	1	1
310	Baffle, Filter RH	90MA012-1402	1	1	1	1
311	Support, Filter Center	90MA012-1452	1	1	1	1
312	Angle, Filter	90MA012-1442	4	4	4	4
313	Filter, Air	KH03DU320	4	4	4	4
314	Channel, Filter	90MA012-1422	1	1	1	1
315	Baffle, Filter Center Rear	90MA012-1692-02	1	1	1	1
316	Side Angle, Blank Off w/ Ears	90MA012-1362-02	1	1	1	1
<b>ACCESSORY GROUP</b>						
199	Plenum, Discharge - Includes:	50BA900171	1	1	1	1
200	Insulation Assembly, Top	90BA900171-00	1	1	1	1
201	Back, Plenum	90BA900171-01	1	1	1	1
202	Panel, RH side	90BA900171-02	1	1	1	1
203	Panel, Side LH	90BA900171-03	1	1	1	1
204	Inner Frame, Plenum	90BA900171-04	1	1	1	1
205	Deflector, Air	90BA900171-05	14	14	14	14
206	Vane, Vertical	90BA900171-06	22	22	22	22
207	Cushion, Vertical Blade	50BA516222	2	2	2	2
208	Vane Support, Bottom	90BA900171-07	1	1	1	1
209	Cushion, Center and Frame	50BA516242	2	2	2	2
210	Support, Center	90BA900171-08	1	1	1	1

**ELECTRIC HEAT GROUP**

**SIZE: 008 & 012**

ITEM	DESCRIPTION	PART NUMBER	90MA/MU			
			208/408/508-531 212/412/512-531	208/408/508-631/931 212/412/512-631/931	308-531 312- 531	308-631/931 312-631/931
<b>ELECTRIC HEAT GROUP</b>						
407	Heater Element 17.5kw @ 460V	90MA008-672-EH	1	1	1	1
408	Heater Relay	HN53CC024	1	1	1	1
409	Switch, Snap Action (Auto Reset)	HH18HA173	1	1	1	1
410	Switch, Snap Action Cap (Manual Reset)	90MA04-692-01-EH	1	1	1	1
411	Time Delay Relay	90MA04-692-03-EH	1	1	1	1
412	Switch, Air	12-00303-01	1	1	1	1
413	Fitting, Air Sensing	58-00793	1	1	1	1
414	Grommet	10053-02176	1	1	1	1