

# VRF Indoor Unit 40VML012---3—Low Static Duct



## Submittal Data

Job Data \_\_\_\_\_ Location \_\_\_\_\_  
 Buyer \_\_\_\_\_ Buyer PO # \_\_\_\_\_ Carrier # \_\_\_\_\_  
 Unit Number \_\_\_\_\_ Model Number \_\_\_\_\_  
 Performance Data Certified By \_\_\_\_\_ Date \_\_\_\_\_



### STANDARD FEATURES

- Rear Return Air Opening is Standard and Bottom Return is Optional
- Three Fan Speeds - High, Medium, and Low
- Knockout for Outside Air
- Built-in Drain Pump from Factory
- Built in EXV (Electronic Expansion Valve) for Installation Ease

INDOOR UNIT MODEL		40VML012---3
<b>PERFORMANCE</b>		
Cooling Rated Capacity	Btu/h	12,000
Heating Rated Capacity	Btu/h	13,500
Airflow (H / M / L)	CFM	353 / 294 / 236
Sound Pressure (H / M / L)	dBA	37 / 34.6 / 33
<b>ELECTRICAL</b>		
Power Supply	V/Ph/Hz	208-230/1/60
Power Consumption (Input)	W	32
Minimum Circuit Amps (MCA)	A	0.6
Maximum Overcurrent Protection	A	15.0
Motor Type		DC

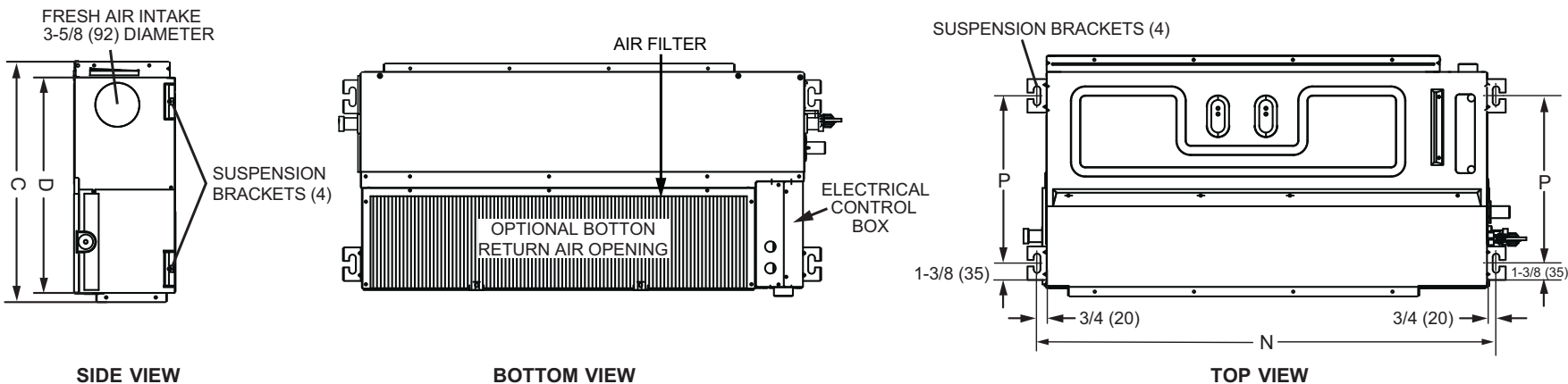
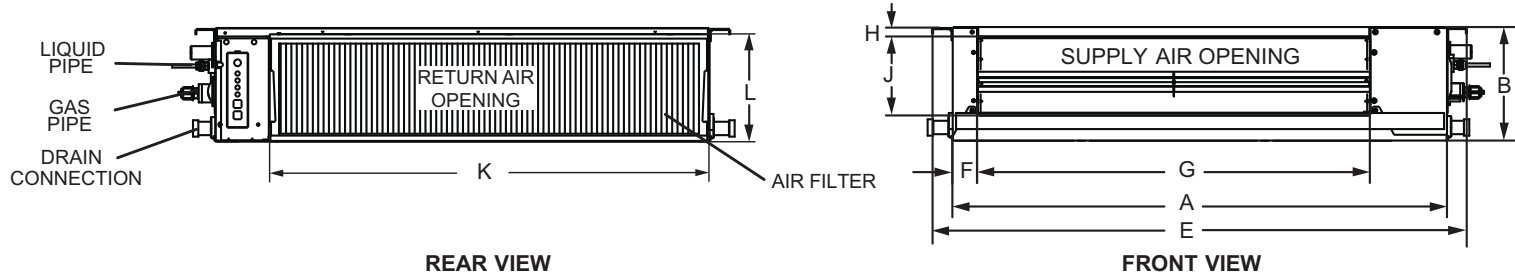
PHYSICAL DATA		
Pipe Connection Size - Liquid	in.	1/4 (OD)
Pipe Connection Size - Suction	in.	1/2 (OD)
Pipe Connection Size - Drain	in.	1 (OD)
Refrigerant		R-410A
Unit Width	in.	30-3/4
Unit Height	in.	8-1/4
Unit Depth	in.	19-3/4
Net Unit Weight	lb	41

### ACCESSORIES

- Wireless Remote Controller 40VM900001
- Wired Remote Controller - Non-Prog. 40VM900002
- Wired Remote Controller - Prog. 40VM900003
- Touch Screen Wired Controller 40VM900005
- Touch Screen Central Controller 40VM900006

Manufacturer reserves the right to discontinue, or change at any time, specifications or designs without notice and without incurring obligations.

# DIMENSIONAL DRAWING INDOOR UNIT LOW STATIC DUCT 40VML012---3



Note: All dimensions are shown in inches

40VML UNIT SIZE	DIMENSION (in.)												
	A	B	C	D	E	F	G	H	J	K	L	N	P
012	27 1/2	8 1/4	19 3/4	17 3/4	30 3/4	1 3/4	20 1/8	5/8	5 3/4	23 5/8	7 3/4	29 1/8	13 3/4

