

**SMMSe / SHRMe
BMS-IFBN640TLUL - BN Interface**



Submittal Data

Job Data _____ Location _____
 Buyer _____ Buyer PO # _____ Carrier # _____
 Unit Number _____ Model Number _____
 Performance Data Certified By _____ Date _____



SMMSe / SHRMe VRF BN Interface Features

The BN Interface operates in conjunction with the BACnet system. A maximum of 64 Indoor units are controllable per interface. The following functions are provided:

CONTROL

- ON/OFF
- Operation Mode
- Set Temperature
- Fan Speed
- Louver
- Permit/Prohibit Local Operation
- Filter Sign Reset
- Ventilation On/Off
- Ventilation Mode

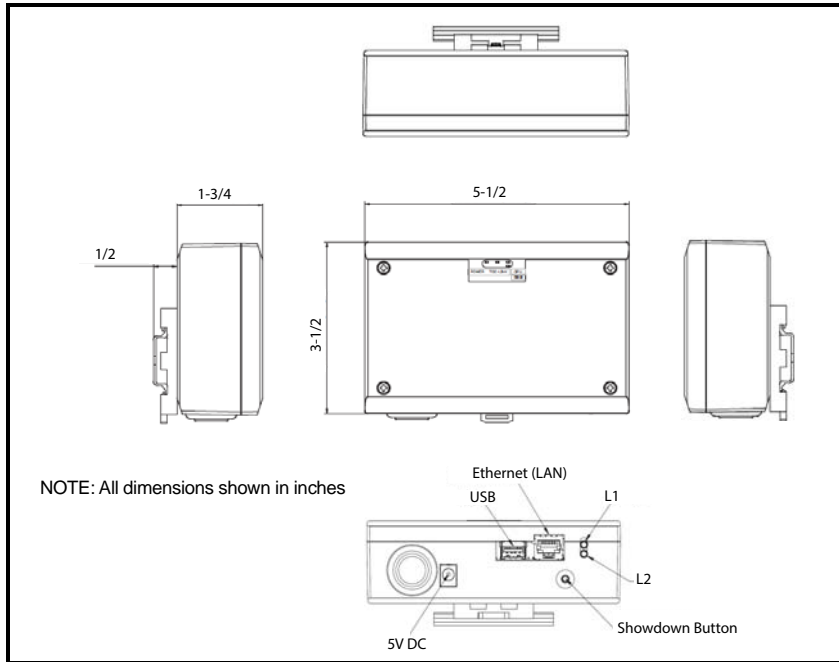
MONITOR

- ON/OFF
- Operation Mode
- Fan Speed
- Louver
- Set Temperature
- Room Temperature
- Permit/Prohibit Local Operation
- Error Code
- Error Status
- Filter Sign
- Ventilation ON/OFF
- Ventilation Mode

PART NAME	BACnet SERVER
Model Number	BMS-IFBN640TLUL
Power Supply	5VDC (Power Adapter Included)
Power Consumption	3W
Operating Temperature/Humidity	32 to 104 F (0 to 40 C), 10 to 80% RH (no condensation)
Storage Temperature	14 to 140F (-10 to 60C), 10% to 90% RH (no condensation)
Dimensions	5.51 (W) x 3.54 (H) x 1.77 (D) in. (140 (W) x 90 (H) x 45 (D) mm)
Weight, lb (g)	BN Interface 0.57 (260) Power Adapter 0.31 (140)
COM Port	TCC-LINK (2-core shielded wires)
LAN	Higher than Category 5, UTP

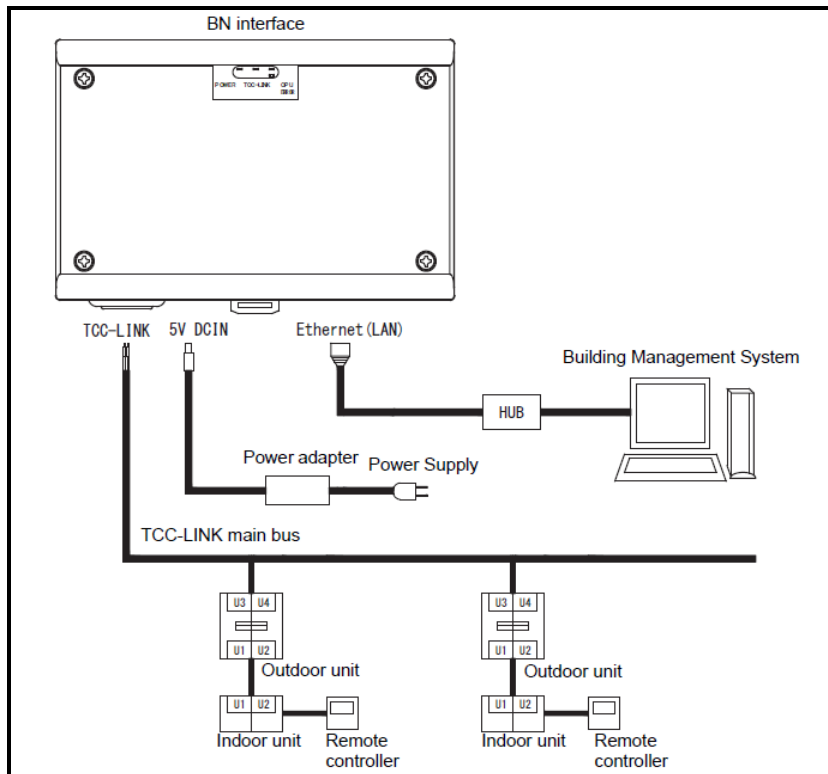
Manufacturer reserves the right to discontinue, or change at any time, specifications or designs without notice and without incurring obligations.

DETAILS AND DIMENSIONAL DRAWING BN Interface BMS-IFBN640TLUL



NAME	FUNCTION
5V DC	Connect the power adapter
USB	(For Service)
Ethernet (LAN)	Connect to the Building Management System
Shutdown button	Shutdown or switch to air-conditioning search mode
L1	BACnet communication status indicator
L2	BACnet communication status indicator, setting error indicator

SYSTEM WIRING CONNECTIONS



© Carrier Corporation 2017