

# SMMS-e Single VRF Outdoor Unit MMY-MAP1206HT9P-UL - Heat Pump

**TOSHIBA**  
*Carrier*

## Submittal Data

Job Data \_\_\_\_\_ Location \_\_\_\_\_  
 Buyer \_\_\_\_\_ Buyer PO # \_\_\_\_\_ Carrier # \_\_\_\_\_  
 Unit Number \_\_\_\_\_ Model Number \_\_\_\_\_  
 Performance Data Certified By \_\_\_\_\_ Date \_\_\_\_\_



### SMMS-e VRF Heat Pump Features

- 6, 8, 10, 12, & 14-ton modules available
- Modules have 2 inverter-driven twin rotary compressors
- Backup capability due to multiple compressors
- Compressor speed varied in 0.1 Hz increments for comfort and efficiency
- Direct drive, inverter-driven 64-step outdoor motor
- Modules can be combined to form larger systems, up to 38 tons
- 985 ft (300 m) actual total system piping (liquid line)
- 623 ft (190 m) actual piping length from outdoor unit to furthest fan coil
- Up to 330 ft (100 m) control wiring between outdoor units
- Up to 6560 ft (2000 m) control wiring between the outdoor unit and indoor units
- Operating temperature range  
Cooling (db): 14 to 122 F (-10 to 50 C)  
Heating (wb): -13 to 60 F (-25 to 15.6 C)
- Protection: high pressure switch, low pressure sensor and switch, process controller board fuse, inverter overload protection
- 7-year compressor limited warranty, 5-year parts limited warranty

Header Unit Model	MMY-MAP1206HT9P-UL	
<b>PERFORMANCE</b>		
Nominal Cooling Capacity	Btu/h	119,700
Nominal Heating Capacity	Btu/h	135,000
Maximum Total Connected Indoor Unit Capacity*		Up to 150%
<b>COOLING EFFICIENCY†</b>		
EER/IEER, Ducted FCUs		12.20/22.30
EER/IEER, Ductless FCUs		12.80/25.10
<b>HEATING EFFICIENCY†</b>		
COP at 47 F, Ducted FCUs		3.95
COP at 47 F, Ductless FCUs		3.99
Fan Type (Qty)		Propeller (1)
Airflow, Standard Range	CFM	7480
Sound Pressure, Cooling/Heating	dBA	61/62
External Static Pressure**	in. wg	0.16
<b>ELECTRICAL</b>		
Power Supply	V/Ph/Hz	208-230/3/60
Minimum Circuit Amps (MCA)	A	45.4
Recommended Fuse Size	A	50

<b>COMPRESSORS</b>		
Type (Number)		Inverter Twin Rotary (2)
Motor Output	kW	2 x 4.0
<b>FAN MOTOR</b>		
Motor Type (Steps)		Inverter Direct Driven (64)
Motor Output	kW	1.0
<b>PHYSICAL DATA</b>		
Pipe Connection Size - Liquid (High Pressure)	in.	1/2 (Flare)
Pipe Connection Size - Gas (Low Pressure)	in.	1-1/8 (Brazed)
Balance	in.	3/8 (Flare)
Refrigerant		R-410A
Factory Charge††	lb	25.4
External Finish		Munsell 1Y8.5/0.5
Unit Width	in.	47-9/16
Unit Height	in.	72-7/8
Unit Depth	in.	30-11/16
Unit Net Weight	lb	684

### LEGEND

db	— Dry Bulb
COP	— Coefficient of Performance
EER	— Energy Efficiency Ratio
FCU	— Fan Coil Unit
IEER	— Integrated Energy Efficiency Ratio
wb	— Wet Bulb

\*When total connected indoor unit capacity exceeds 135%, number and types of indoor units are limited.  
 †Rated per AHRI (Air-Conditioning, Heating and Refrigeration Institute) 1230 Standard.

Cooling: Indoor 80 F (27 C) db/67 F (20 C) wb; Outdoor 95 F (35 C) db  
 Heating: Indoor 70 F (21 C) db; Outdoor 47 F (8 C) db/43 F (6 C) wb

\*\*Requires setting by DIP switches.

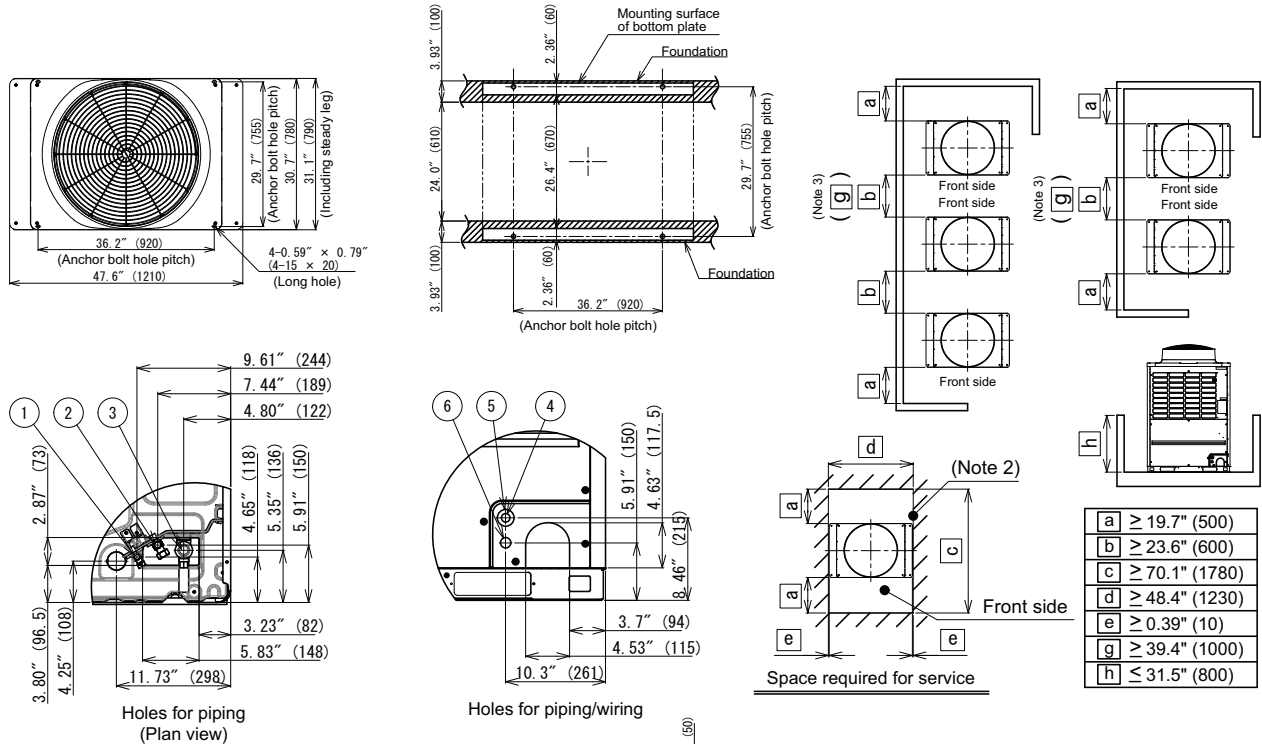
††Additional charge required.

NOTE: Unit cabinet and coil slab shall be capable of withstanding 500-hour salt spray test in accordance with the ASTM (American Society for Testing and Materials, U.S.A.) B-117 Standard.

Manufacturer reserves the right to discontinue, or change at any time, specifications or designs without notice and without incurring obligations.

# DIMENSIONAL DRAWING

## OUTDOOR UNIT HEAT PUMP/SINGLE UNIT MMY-MAP1206HT9P-UL



No	Parts name	Remarks
①	Balance pipe connection port	Φ3/8" (9.5)
②	Liquid pipe connection port	Φ1/2" (12.7)
③	Discharge gas pipe connection port	Φ1" (25.4)
④	Knockout hole for power wiring 1	Φ0.87" (22.2)
⑤	Knockout hole for power wiring 2	Φ1.72" (43.7)
⑥	Knockout hole for control wiring	Φ1.06" (27)
⑦	Square hole (for freight handling)	4-2.36" x 7.87" (4-60x200)
⑧	Square hole (for hanging)	4-1.58" x 2.17" (4-40x55)

**NOTES:**

1. A minimum clearance of 78.7 in. (2000 mm) is required above the unit.
2. Any wall or barrier should not exceed 31.5 in. (800 mm) from the bottom of the unit.
3. The main pipe in front of the unit must extend at least a minimum of 19.7 in. (500 mm) before it can turn 90 degrees in either left or right direction.
4. Dimensions in parentheses are in millimeters.

