

Deluxe 80 Single Stage Downflow Furnace

FLEXIBILITY

- 40" high for ease of installation
- Factory shipped for natural gas, with Propane Gas conversion kits available
- Dedicated downflow installation
- Category I venting
- Common venting with water heater

SERVICE

- Self diagnostics
- Entire blower assembly mounted on rails

COMFORT

- Adjustable timed blower OFF delay
- 24 and 115 VAC humidifier terminal
- Electronic air cleaner terminal

EFFICIENCY

- 80% AFUE efficiency range
- Single stage gas valve operation
- Single stage integrated control
- Multispeed, prelubricated PSC motors
- Induced draft blower
- In-shot burners
- California NOx approved

QUALITY

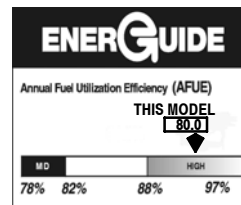
- RPJ III Aluminized steel heat exchanger
- High temperature limit control prevents overheating
- Direct ignition with Silicon Nitride ignitor
- Flame roll-out sensors standard
- Louvered doors
- One piece prepainted steel cabinet
- Filter rack with permanent filters
- 1 year No Hassle Replacement limited warranty
- 5 year limited parts warranty



Illustrations and photographs are only representative.
Some product models may vary.

WARNING

This furnace is not designed for use in mobile homes, trailers, or recreational vehicles. Such use could result in property damage and/or death.



DOWNFLOW (NATURAL GAS)					
Model Number	Heat Exchangers ^	Dimensions H x W x D (In.)	Input (MBTUH)	Efficiency AFUE +	Cooling Capacity @ .5 in wc
T8DNL050B12B	20 year	40 x 15 ¹ / ₂ x 29	50,000	80%	1.5 - 3.0 TON
T8DNL075B12B	20 year	40 x 15 ¹ / ₂ x 29	75,000	80%	1.5 - 3.0 TON
T8DNL075F16B	20 year	40 x 19 ¹ / ₈ x 29	75,000	80%	2.5 - 4.0 TON
T8DNL100F14B	20 year	40 x 19 ¹ / ₈ x 29	100,000	80%	2.0 - 3.5 TON
T8DNL100L20B	20 year	40 x 24 ¹ / ₂ x 29	100,000	80%	3.5 - 5.0 TON
T8DNL125L20B	20 year	40 x 24 ¹ / ₂ x 29	125,000	80%	3.5 - 5.0 TON

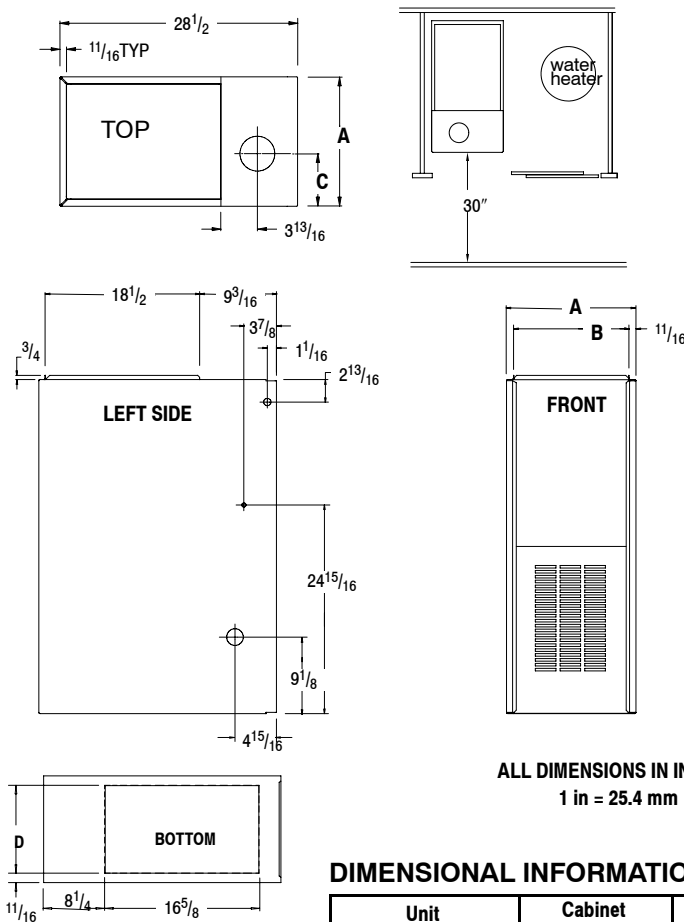
^ LIMITED 20 YEAR WARRANTY

FURNACE SPECIFICATIONS DOWNFLOW POSITION

Model Number	NATURAL GAS	*8DNL					
		050B12	075B12	075F16	100F14	100L20	125L20
INPUT (btuh)		50,000	75,000	75,000	100,000	100,000	125,000
HTG. CAP. (btuh) +		40,000	61,000	61,000	81,000	81,000	101,000
AFUE % (ICS) +		80%	80%	80%	80%	80%	80%
TEMP. RISE DEGREES (°F/°C)		35-65/19-36	35-65/19-36	35-65/19-36	35-65/19-36	30-60/17-33	35-65/19-36
VOLTS/PH/Hz		115/1/60	115/1/60	115/1/60	115/1/60	115/1/60	115/1/60
MIN./MAX. VOLTAGE		104/127	104/127	104/127	104/127	104/127	104/127
RATING PLATE AMPS.		9.2	9.0	12.0	9.2	13.5	13.2
TRANSFORMER (V.A.)		40	40	40	40	40	40
GAS PIPE SIZE (IN.)		1/2	1/2	1/2	1/2	1/2	1/2
FLUE COLLAR SIZE		4"	4"	4"	4"	4"	4"
COOLING CAP.		3.0	3.0	4.0	3.5	5.0	5.0
SHIPPING WEIGHT (LBS.)		142	145	160	162	176	184
DIMENSIONS (in.) HEIGHT		40	40	40	40	40	40
WIDTH X DEPTH		15 1/2 x 29	15 1/2 x 29	19 1/8 x 29	19 1/8 x 29	24 1/2 x 29	24 1/2 x 29

(ICS) = Isolated Combustion System

UNIT DIMENSIONS



ALL DIMENSIONS IN INCHES
1 in = 25.4 mm

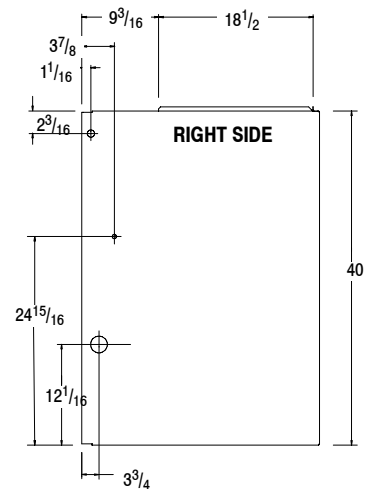
DIMENSIONAL INFORMATION

Unit Capacity	Cabinet		Top	Bottom
	A	B	C	D
*8DNL050B12 *8DNL075B12	15 1/2	14	5 5/16	14 1/8
*8DNL075F16 *8DNL100F14	19 1/8	17 5/8	7 3/4	17 11/16
*8DNL100L20 *8DNL125L20	24 1/2	23	10 7/16	23 1/8

* Dentoos Brand

MINIMUM CLEARANCES TO COMBUSTIBLE MATERIALS FOR ALL UNITS	
REAR	0
FRONT	3"
Recommended For Service	30"
ALL SIDES OF SUPPLY PLENUM	1"
SIDES	0
VENT	
Single Wall Vent	6"
Type B-1 Double Wall Vent	1"
TOP OF FURNACE	1"

Horizontal position: Line contact is permissible only between lines formed by intersections of top and two sides of furnace jacket, and building joists, studs or framing.



NOTE: Evaporator "A" coil drain pan dimensions may vary from furnace duct opening size. Always consult evaporator specifications for duct size requirements.

Unit is designed for top return ONLY.

Return air through back of unit is NOT allowed.

Drawing is representative, some models may vary in appearance

25-24-15a-1

Specifications subject to change without notice

BLOWER PERFORMANCE DOWNFLOW POSITION

Model Number	*8DNL					
	050B12 (1)	075B12 (1)	075F16 (1)	100F14 (1)	100L20 (1)	125L20 (1)
BLOWER INCHES (DIA. x WIDTH)	11x8	11x8	11 x 10	11 x 10	11 x 10	11x10
MOTOR H.P. (TYPE)	1/2/PSC	1/3/PSC	1/2/PSC	1/2/PSC	3/4/PSC	3/4/PSC
MOTOR SPEEDS	4	4	4	4	4	4

AIRFLOW DATA (CFM)

.10 ESP IN. W.C.	LOW	702	634	648	756	1798	1936
	MEDIUM LOW	963	728	900	1012	2024	2165
	MEDIUM HIGH	1260	975	1285	1372	2212	2319
	HIGH	1537	1353	1789	1881	2375	---
.20 ESP IN. W.C.	LOW	663	588	636	671	1754	1891
	MEDIUM LOW	904	696	913	950	1960	2097
	MEDIUM HIGH	1222	963	1307	1323	2147	2283
	HIGH	1477	1337	1770	1803	2290	---
.30 ESP IN. W.C.	LOW	624	533	628	585	1709	1845
	MEDIUM LOW	845	653	916	888	1896	2028
	MEDIUM HIGH	1183	936	1328	1273	2081	2246
	HIGH	1416	1307	1747	1724	2205	2334
.40 ESP IN. W.C.	LOW	567	489	621	538	1662	1787
	MEDIUM LOW	803	605	897	834	1835	1965
	MEDIUM HIGH	1136	905	1324	1225	2002	2154
	HIGH	1362	1274	1718	1665	2116	2253
.50 ESP IN. W.C.	LOW	510	454	611	491	1614	1728
	MEDIUM LOW	760	559	889	780	1774	1902
	MEDIUM HIGH	1088	861	1309	1176	1922	2061
	HIGH	1308	1225	1680	1606	2026	2172
.60 ESP IN. W.C.	LOW	461	420	585	439	1542	1632
	MEDIUM LOW	689	513	869	739	1694	1799
	MEDIUM HIGH	1003	810	1283	1106	1837	1959
	HIGH	1210	1164	1640	1544	1943	2062
.70 ESP IN. W.C.	LOW	412	373	557	387	1470	1536
	MEDIUM LOW	617	473	843	697	1614	1695
	MEDIUM HIGH	917	737	1240	1035	1752	1856
	HIGH	1111	1087	1588	1481	1860	1952
.80 ESP IN. W.C.	LOW	361	338	522	321	1376	1434
	MEDIUM LOW	543	425	809	629	1521	1593
	MEDIUM HIGH	791	672	1192	954	1650	1728
	HIGH	1030	994	1523	1381	1753	1820
.90 ESP IN. W.C.	LOW	310	255	485	255	1282	1331
	MEDIUM LOW	468	392	748	561	1428	1490
	MEDIUM HIGH	664	605	1122	873	1548	1600
	HIGH	948	884	1452	1281	1645	1687
1.00 ESP IN. W.C.	LOW	249	232	441	210	1065	1215
	MEDIUM LOW	436	294	680	444	1263	1352
	MEDIUM HIGH	529	529	1041	767	1407	1424
	HIGH	808	764	1374	1132	1508	1537

NOTE: (1) Gray area is above maximum temperature rise range.

CFM - Cubic Feet per Minute airflow. Airflow performance includes 1" washable (600 FPM max) filter media.

ACCESSORIES

Model Number	Description	Used With Models
GAS CONVERSION KITS		
NAHA001LP (1172958 ⁺)	Natural gas to Propane conversion Kit. Allows field conversion to Propane gas.	ALL *8DNL FURNACES
NAHA001NG (1172960 ⁺)	Propane to natural gas conversion kit. Allows field conversion to natural gas. (Single Stage)	ALL *8DNL FURNACES
COMBUSTIBLE FLOOR SUBBASES		
NAHH001SB	Subbase Furnace ONLY: All 15 ¹ / ₂ " wide furnace models	*8DNL050B-075B
NAHH002SB	Subbase Furnace ONLY: All 19 ¹ / ₄ " wide furnace models	*8DNL075F-100F
NAHH010SB	Subbase Furnace ONLY: All 24 ¹ / ₂ " wide furnace models	*8DNL100L-125L
NAHH004SB	Subbase Furnace w/15 ¹ / ₂ " cased coil	*8DNL050B-075B
NAHH005SB	Subbase Furnace w/19 ¹ / ₄ " cased coil	*8DNL075F-100F
NAHH009SB	Subbase Furnace w/24 ¹ / ₂ " cased coil	*8DNL100L-125L
WARNING LABEL REPLACEMENT KIT		
NAHA002WL	To replace Warning Labels, Operating Instructions & Wiring Labels on Blower Door when needed	*8DNL

⁺ Fast part number

MODEL NUMBER IDENTIFICATION GUIDE

*	8	DN	L	0 7 5	B	1 2	B	#
* = Brand Specific								Engineering Rev. Denotes minor change
Brand Efficiency 8 = Non-Condensing, 80+% Gas Furnace 9 = Condensing, 90+% Gas Furnace								Marketing Digit Denotes major change
Installation Configuration UP = Upflow DN = Downflow UH = Upflow/Horizontal HZ = Horizontal DH = Downflow/Horizontal MP = Multiposition, Upflow/Downflow/Horizontal								Cooling Airflow 08 = 800 CFM 16 = 1600 CFM 12 = 1200 CFM 20 = 2000 CFM 14 = 1400 CFM 22 = 2200 CFM
Major Design Feature 1 = One (Single) Pipe N = Single Stage 2 = Two Pipe P = PVC Vent D = 1 or 2 Pipe T = Two Stage L = Low NOx V = Variable Speed								Cabinet Width B = 15.5" Wide J = 22.8" Wide F = 19.1" Wide L = 24.5" Wide
								Input (Nominal MBTUH)

* Denotes Brand (C, H, T)

International Comfort Products, LLC
Lewisburg, TN 37091 U.S.A.
www.GoTempstar.com

Specifications subject to change without notice