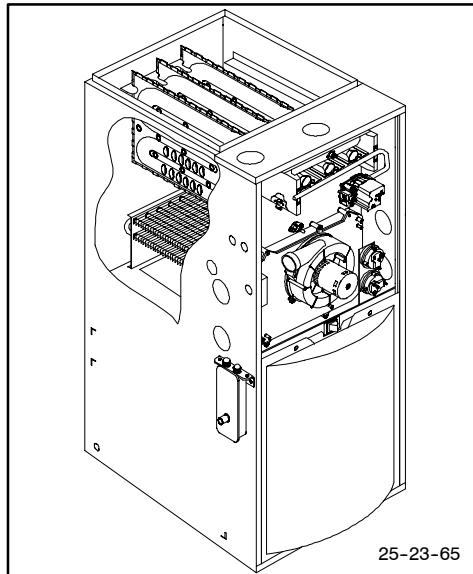


Deluxe 90



Representative drawing only, some models may vary in appearance.

WARNING
This furnace is not designed for use inside mobile homes, trailers, or recreational vehicles. Such use could result in property damage, bodily injury, and/or death.

Dealer/Contractor

Flexibility

- Dual certified venting (1 or 2 pipes)
- 40" high with wider cabinets, for noise reduction and ease of installation.
- Factory shipped as natural gas, with LP Gas conversion kits available.
- Four position - upflow/downflow/horizontal installation.
- Vent pipe can be run horizontally or vertically.

Service

- Self diagnostics.
- Entire blower assembly mounted on rails.

Homeowner

Quality

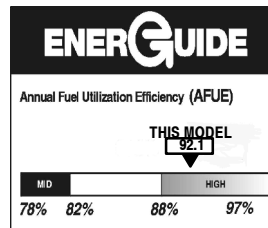
- RPJ III Stainless steel heat exchanger.
- Stainless steel secondary heat exchanger.
- Lifetime limited warranty on heat exchangers and 5 years on parts.
- High temperature limit control prevents overheating.
- Hot surface pilot ignition device.
- Flame roll-out sensors standard.
- Solid doors.

Comfort

- Adjustable timed blower Off delay.
- Thermal lined, one piece steel cabinet for noise reduction.
- Humidifier terminal
- Electronic air cleaner terminal.
- Insulated blower compartment.

Efficiency

- 92.1% AFUE efficiency range.
- Single stage gas valve operation.
- Single stage fan timer.
- Multispeed, prelubricated PSC blower motors.
- Induced draft blower.
- In-shot burners.



FURNACE SPECIFICATIONS

Model Number	NATURAL GAS	[^] 9MPD050F12	[^] 9MPD075F12	[^] 9MPD080J16	[^] 9MPD100J14	[^] 9MPD100J20	[^] 9MPD125L20
INPUT (btuh)		50,000	75,000	80,000	100,000	100,000	125,000
HTG. CAP. (btuh)		45,500	67,500	72,000	90,000	90,000	113,125
AFUE % (ICS)		92.1	92.1	92.1	92.1	92.1	92.1
ALTERNATE INPUT BTUH		40,000	60,000	NA	80,000	80,000	100,00
ALTERNATE OUTPUT BTUH		36,400	54,000	NA	72,000	72,000	90,500
CSE %		84.9	85.1	85.5	85.5	85.5	85.2
NOx (Ng/l)		<40	<40	<40	<40	<40	<40
TEMP. RISE (deg. F)		35-65	40-70	35-65	40-70	40-70	40-70
VOLTS/PH/Hz		115/60/1	115/60/1	115/60/1	115/60/1	115/60/1	115/60/1
MIN./MAX. VOLTAGE		97/132	97/132	97/132	97/132	97/132	97/132
F.L.A.		9.8	8.9	9.0	9.0	10.5	11.2
TRANSFORMER (V.A.)		40	40	40	40	40	40
GAS PIPE SIZE (IN.)		1/2	1/2	1/2	1/2	1/2	1/2
VENT SIZE [^]		2" or 3" OD	2" or 3" OD	3" OD	3" OD	3" OD	3" OD
COOLING CAP.		3.0	3.0	3.5	3.5	5.0	5.0
FILTER SIZE (IN.) (1 required)		16X25X1	16X25X1	16X25X1	16X25X1	16X25X1(2)	16X25X1(2)
DIMENSIONS (in.) HEIGHT		40	40	40	40	40	40
WIDTH X DEPTH		19 ¹ / ₈ x 29	19 ¹ / ₈ x 29	22 ³ / ₄ x 29	22 ³ / ₄ x 29	22 ³ / ₄ x 29	24 ¹ / ₂ x 29
WEIGHT (Lbs.)		150	153	172	172	180	193

[^] Vent size may vary depending on length, number of elbows, standard vent or direct vent. See Installation Instructions.

BLOWER PERFORMANCE

Model Number	NATURAL GAS	[^] 9MPD050F12	[^] 9MPD075F12	[^] 9MPD080J16	[^] 9MPD100J14	[^] 9MPD100J20	[^] 9MPD125L20
BLOWER TYPE AND SIZE		11-8	11-10	11-10	11-10	11-10	11-10
MOTOR H.P. (TYPE)		¹ / ₂ PSC	¹ / ₂ PSC	¹ / ₂ PSC	¹ / ₂ PSC	³ / ₄ PSC	³ / ₄ PSC
MOTOR SPEEDS		4	4	4	4	4	4

AIRFLOW DATA

.10 ESP IN. W.C.	LOW	826	706	823	700	1682	1720
	MEDIUM LOW	1083	917	1109	912	1870	1910
	MEDIUM HIGH	1301	1163	1527	1209	2081	2127
	HIGH	1408	1368	1850	1550	2263	2315
.20 ESP IN. W.C.	LOW	804	677	795	660	1654	1686
	MEDIUM LOW	1050	875	1087	884	1826	1881
	MEDIUM HIGH	1242	1120	1482	1171	2031	2087
	HIGH	1347	1319	1791	1492	2193	2268
.30 ESP IN. W.C.	LOW	770	636	747	616	1597	1644
	MEDIUM LOW	1028	840	1056	843	1775	1833
	MEDIUM HIGH	1195	1076	1426	1139	1963	2024
	HIGH	1295	1283	1720	1434	2165	2201
.40 ESP IN. W.C.	LOW	735	595	677	575	1547	1600
	MEDIUM LOW	985	812	1016	790	1719	1777
	MEDIUM HIGH	1153	1031	1382	1088	1899	1961
	HIGH	1237	1202	1648	1378	2056	2131
.50 ESP IN. W.C.	LOW	698	546	617	528	1498	1533
	MEDIUM LOW	952	766	970	735	1653	1720
	MEDIUM HIGH	1093	987	1317	1040	1825	1891
	HIGH	1183	1148	1575	1317	1978	2029
.60 ESP IN. W.C.	LOW	657	490	544	472	1428	1494
	MEDIUM LOW	909	702	854	677	1583	1647
	MEDIUM HIGH	1040	889	1245	979	1737	1804
	HIGH	1118	1077	1485	1247	1854	1948
.70 ESP IN. W.C.	LOW	---	---	---	---	1355	1413
	MEDIUM LOW	863	630	763	608	1503	1571
	MEDIUM HIGH	935	821	1154	909	1650	1708
	HIGH	1053	989	1401	1161	1757	1820

* Denotes Brand (T, H or C)

MODEL NUMBER IDENTIFICATION GUIDE

Brand Identifier * = Brand Specific	9	M P	D	0 7 5	F	1 2	A	#	Engineering Rev. Denotes minor changes
Model Identifier 8 = Non-Condensing, 80+% Gas Furnace 9 = Condensing, 90+% Gas Furnace									Marketing Digit Denotes minor change
Installation Configuration UP = Upflow DN = Downflow UH = Upflow/Horizontal HZ = Horizontal DH = Downflow/Horizontal MP = Multiposition, Up/Down/Horizontal									Cooling Airflow 08 = 800 CFM 12 = 1200 CFM 14 = 1400 CFM 16 = 1600 CFM 20 = 2000 CFM
Major Design Feature 1 = One (Single) Pipe N = Single Stage 2 = Two Pipe P = PVC Vent D = 1 or 2 Pipe T = Two Stage L = Low NOx V = Variable Speed									Cabinet Width B = 15.5" Wide J = 22.8" Wide F = 19.1" Wide L = 24.5" Wide
									Input (Nominal MBTUH)

ACCESSORIES

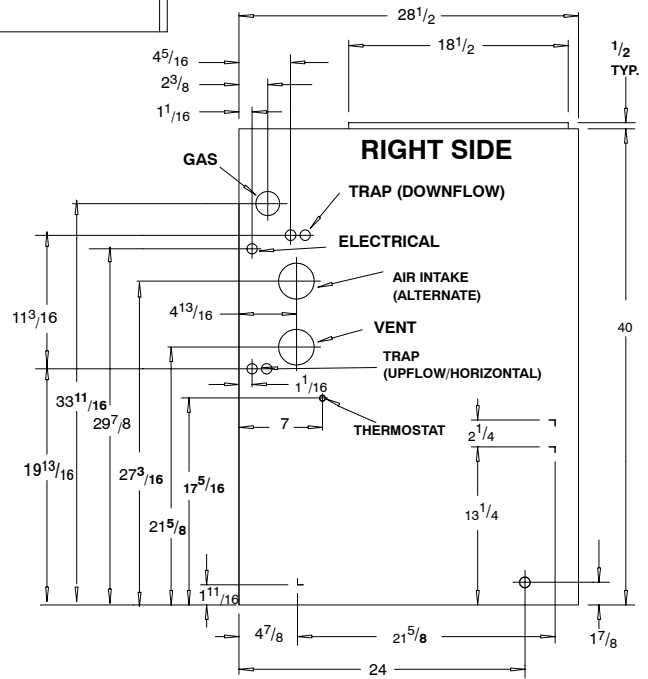
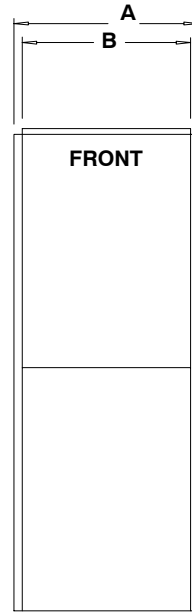
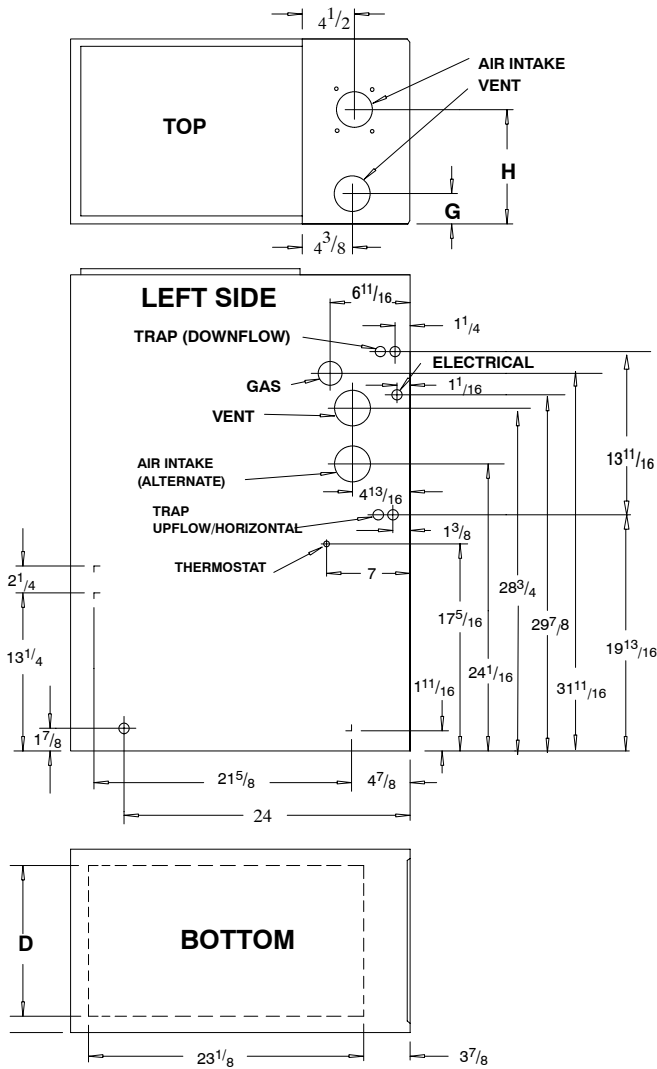
Model Number	Description	Used With Models
NAHA003WK	Twinning Kit - Allows operation of two identical-size model furnaces.	All *9MPD Furnaces
NAHF002LP 1009509 ^	Gas Conversion Kits - Natural gas to LP (propane) conversion Kit (includes LP high altitude kit). Allows field conversion to LP (propane) gas.	*9MPD
NAHF002NG 1009510 ^	Gas Conversion Kits - LP (Propane) to natural gas conversion kit. Allows field conversion to natural gas.	*9MPD
NAHF003NG 1013816 ^	Gas Conversion Kits - LP (Propane) to natural gas conversion kit. Allows field conversion to natural gas.	*9MD2080
NAHF003LP 1013815 ^	Gas Conversion Kits - Natural gas to LP (Propane) conversion kit. Allows field conversion to LP (Propane) gas. Includes LP Pressure Switch.	*9MPD080
NAHK001LF 1009910 ^	Alternate Input Kit (Nat Gas). Derates input by 20%	All *9MPD Models
NAHK002LF 1009911 ^	Alternate Input Kit (LP Gas). Derates input by 20%	All *9MPD Models
NAHA001PS 1009522 ^	LP Low Pressure Switch - For detecting low line pressure. Opens at 6.5" W.C. (included in NAHF002LP)	All LP *9MPD Models
NAHA001FF	Filter Kits - External filter frame. 16" x 25"	Side Return (All Furnaces) Bottom Return (All "F" 19 ¹ / ₈ " Furnaces under 1650 CFM)
NAHA001FP	External filter frame. 16" x 25" (Bulk Pack Kit - Qty 10)	
NAHA002FF	Filter Kits - Bottom return filter frame kit 20" x 25"	(All "J" 22 ³ / ₄ " Furnaces)
NAHA002FP	Bottom return filter frame kit 20" x 25" (Bulk Pack Kit - Qty 10)	
NAHA003FF	Filter Kits - Bottom or side return filter frame kit 14" x 25".	(All "B" 15 ¹ / ₂ " Furnaces)
NAHA003FP	Bottom or side return filter frame kit 14" x 25" (Bulk Pack Kit - Qty 10)	
NAHA001TK	Duct Standoff Filter Kit. To adapt 20" x 25" filter for single side return.	Side Return (All single return applications with 1650 CFM or greater) Bottom Return (All "F" 19 ¹ / ₈ " Furnaces under 1650 CFM)
NAHA001NK 612833 ^	Condensate neutralizer kit - for condensing gas furnaces	All *9MPD Furnaces If Required
NAHH002SB	Combustible Floor Subbase - Furnace ONLY: All 19 ¹ / ₄ " wide furnace models	*9MPD050/075/080
NAHH003SB	Combustible Floor Subbase - Furnace ONLY: All 22 ³ / ₄ " wide furnace models	*9MPD100
NAHH010SB	Combustible Floor Subbase - Furnace ONLY: All 24 ¹ / ₂ " wide furnace models	*9MPD125
NAHH005SB	Subbase - Furnace w/19 ¹ / ₄ " cased coil	*9MPD050/075/080 Counterflow furnace w/19 ¹ / ₄ " cased coil
NAHH006SB	Subbase - Furnace w/22 ³ / ₄ " cased coil	*9MPD100 Counterflow furnace w/22 ³ / ₄ " cased coil
NAHH009SB	Subbase - Furnace w/24 ¹ / ₂ " cased coil	*9MPD125
NAHA001CV ^1011129	3" Concentric vent kit - allows single wall penetration for 2 pipe direct vent applications (90+).	*9MPD080/100/125
NAHA002CV	2" Concentric vent kit allows - single wall penetration for 2 pipe direct vent applications (90+).	*9MPD050/075
NAHA001CA	Coil Adapter for Downflow Furnaces	All Downflow Models
NAHA001LV	Long Vent Kit	*9MPD075
NAHA002LV	Long Vent Kit	*9MPD100
NAHA003LV	Hing Altitude Long Vent Kit	*9MPD075/100

^ Must be ordered from Service Parts

* Denotes Brand (T, H or C)

DIMENSIONS

Cabinet to Combustible Clearances						
TOP	BOT.	RH	LH	BACK	FRNT	FLUE
1"	0"	0"	0"	0"	3"	0"



ALL DIMENSIONS IN INCHES

Unit Capacity	Cabinet		Bottom	Top	
	A	B	D	G	H
*9MPD050F12A	19 1/8	17 5/8	14 3/4	2 1/2	9 1/2
*9MPD075F12A	19 1/8	17 5/8	14 3/4	2 1/2	9 1/2
*9MPD080J16A	22 3/4	21 1/4	18 3/4	2 5/8	11 3/8
*9MPD100J14A	22 3/4	21 1/4	18 3/4	2 5/8	11 3/8
*9MPD100J20A	22 3/4	21 1/4	18 3/4	2 5/8	11 3/8
*9MPD125L20A	24 1/2	23	23	2 1/4	12 1/4

* Denotes Brand (T, H or C)

25-23-36A