

SYSTXCCITW01-A, SYSTXCCITC01-A & SYSTXCCITN01-A Infinity® Touch Control



Product Data



A11577

NOTE: Infinity® Touch Control compatible with Infinity® rated indoor equipment only.

US Patents: Carrier® U.S. Pat No. 7,243,004, Carrier® U.S. Pat No. 7,775,452, pointSET™ U.S. Pat No. 7,415,102

INFINITY® TOUCH CONTROL

Carrier specializes in creating a customized home comfort system tailored to your needs with our broad selection of residential heating and cooling products. The Infinity® Touch Control System is the ultimate control center for all of your system components. When you add an Infinity® Touch Control to a compatible variable speed furnace, fan coil, Infinity® System split or package unit, or small packaged product, you will enjoy longer heating and cooling cycles at lower fan speeds for a more consistent temperature throughout your home. By adding a variable speed, multi-stage, or 2-stage outdoor unit, you will enjoy extra benefits which include better humidity and temperature control as well as a more energy efficient comfort system. When paired with Infinity® Zoning controls, the Infinity® Touch Control allows you to create up to 8 zones of customized comfort.

The Infinity® Zoning system does not require a bypass damper, leaving air temperature (LAT) sensor, or field-installed power transformer.

Always install the latest version of software to enable all features of the system.

Over-the-Air software updates for Wi-Fi models connected to the Infinity server are automatically downloaded. Software updates via USB are available on HVACpartners, or at www.MyInfinityConnex.com.

Wi-Fi® is a registered trademark of Wi-Fi Alliance Corporation.

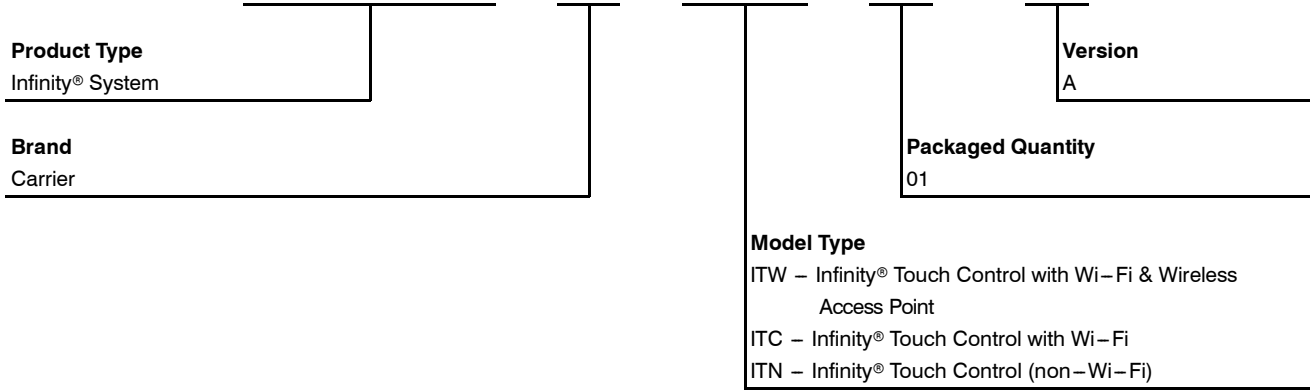
INDUSTRY LEADING FEATURES/BENEFITS

Carrier's revolutionary Infinity® Touch Control is the smart control of the future. Its unique system self-configuration and diagnostics capabilities make installation and service fast and accurate, helping to avoid costly call-backs. The Infinity® Touch Control features a high resolution display, making it easier to read. Intuitive prompts let you program everything from humidity levels to fan speeds, giving you the ultimate control over your home comfort. Other features include:

- 2-wire connection to Infinity® System two or more -stage outdoor equipment (including geothermal split units)
- 4-wire installation from each major component in the system
- Compatible with Infinity® System geothermal products (GC and GZ models). Energy Tracking feature for geothermal systems is available (Version 14 or later, with Entering Water Temperature sensor installed in heat pump)
- Infinity® Zoning System compatibility
- Intuitive on screen prompts for ease of installation and service
- *Ideal Humidity System™* settings are the default; no longer requiring increased system setup
- Complete integration of the temperature, humidity and ventilation in every season
- Auto mode selection to satisfy simultaneous heating and cooling demands via more aggressive Auto Changeover algorithm--installer must enable (Version 14 or later)
- 7-day programmability with Lifestyle Comfort Profiles and Touch-N-Go® features; complies with California Title 24 programmability requirements
- Easy timed-override schedule
- Simplified vacation schedules
- Day-at-a-glance programming for simplified ease of use
- Programmable fan by period
- TrueSense™ Dirty Filter Detection
- Indoor Air Quality pop up reminders
- General maintenance reminder messaging
- Wi-Fi® remote access capability (SYSTXCCITW01-A & SYSTXCCITC01-A models)
- Photo, dealer info, and software update USB upload capability
- Compatible with home automation through the SYSTXCCRCT01 or SYSTXCCRWF01 system access modules
- Compatible with communicating Infinity® System Small Packaged Products

MODEL NUMBER NOMENCLATURE

1 2 3 4 5 6 7 8 9 10 11 12 13 14
S Y S T X C C I T W O 1 - A



INFINITY® TOUCH

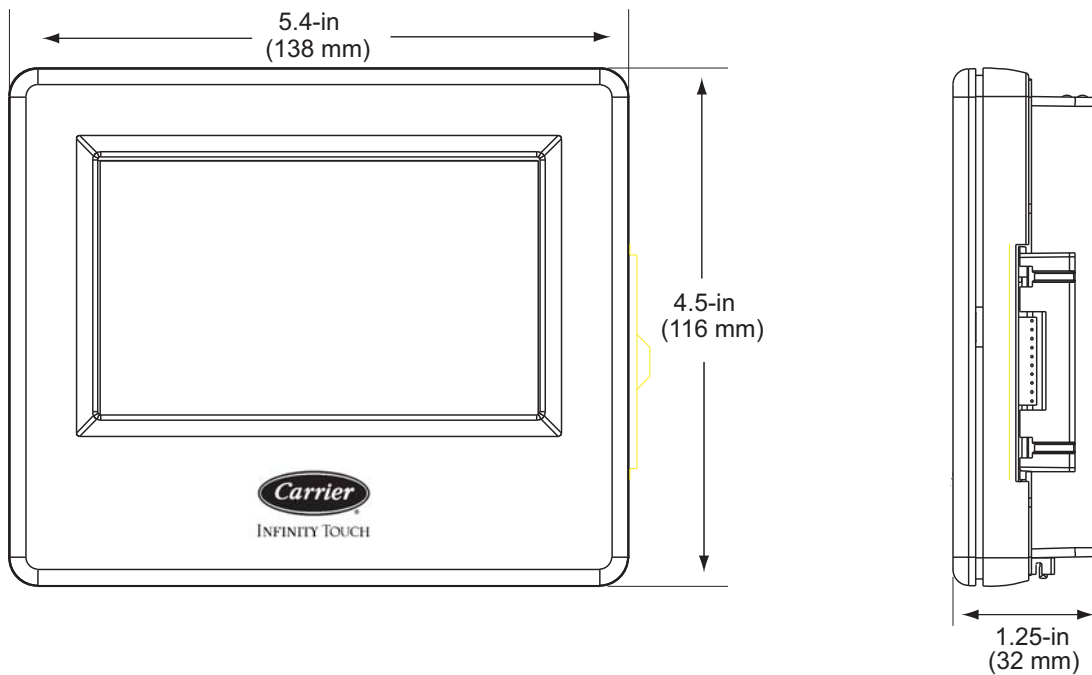


Fig. 1 - Unit Dimensions

A11606

PRODUCT DATA INFORMATION

Compatible Communicating Products

Compatible with most Infinity® System indoor and outdoor equipment built since 2004; see equipment specifications for details.

Home Automation System Interface

The Infinity® Touch control can connect to a variety of Home Automation systems. Note that not all Home Automation systems may be compatible. Reference the latest version of the Application Specification titled “SAM Remote Access Application Specification,” available on HVACpartners.com to learn more about the latest Home Automation interfaces to the Infinity® systems. Work with the home automation supplier to see if the systems are compatible. If not, you may provide the “SAM Remote Access Application Specification” to the home automation supplier to develop an interface with the Infinity® Touch system. Always be sure to obtain the latest version of the application specification from HVACpartners, as we continually update and add home automation interfaces.

NOTE: The ability to remotely access and adjust the settings of the Infinity® Touch Control with the MyInfinity web and mobile applications is dependent on the compatibility of the user’s computer, home network and/or mobile device, the Infinity® Touch Control, and/or the MyInfinity web server or other system interfaces with, and the availability of, the user’s internet service provider or mobile device carrier service. Carrier Corporation makes no representations or warranties, express or implied, including, to the extent permitted by applicable law, any implied warranty of merchantability or fitness for a particular purpose or use, about the compatibility of the user’s computer, home network, and/or mobile device, with the Infinity® Touch Control, and/or the MyInfinity web server or other system interfaces, with, and the availability of, the user’s internet service provider or mobile device carrier service, or that the ability to remotely access and adjust the settings of the Infinity® Touch Control will not be negatively affected by the network-related modifications, upgrades, or similar activity of the user’s internet service provider or mobile device carrier service.

Physical Characteristics

Dimensions: See drawing

Appearance: Plastic, Silver (Black and White Changeable Faceplates included)

Electrical Characteristics/Communication

Input Volts/Amps 24VAC

Each device in the Infinity® System has a four-pin connector labeled ABCD. It is recommended that the following color code be used when wiring each device:

- A — Green = Data A+
- B — Yellow = Data B-
- C — White = 24VAC (Com)
- D — Red = 24VAC (Hot)

Always verify that the IDU and ODU are well-grounded, and that there are less than 10 volts AC/DC as measured between the cabinets of the IDU and ODU, while the equipment is operating at full capacity. If there is a larger voltage difference between the cabinets of the IDU and ODU, recheck the equipment grounding.

Environmental Requirements:

Operating Temperature/Relative Humidity:

User interface and all sensors: 32°F to 104°F / 0°C to 40°C, 95% RH non-condensing

Feature Specifications:

- Temperature set point range: 50°F to 90°F / 10.0°C to 32.0°C
- Separate heat and cool setpoints
- Programming days: 7 day
- Programming periods: Up to 5 periods per day
- Advanced Smart Setback (with programming)
- Touch-N-Go® feature
- Non-Programmable (installer selectable)
- Auto Changeover* (may be disabled)
- Simultaneous Heat Cool Demand Algorithm for zoned systems
- Programmable fan (installer selectable)
- Humidity Sensor Offsets
- Auto Changeover Timer (installer adjustable)
- Smart Recovery (in heating and cooling)
- Hold function
- Copy functions: copy day of week; copy zones
- Permanent memory
- Humidity display and control
- Temperature sensor offsets (indoor and outdoor)
- TrueSense™ Dirty Filter Detection with compatible indoor equipment

* See Installation Instructions for details on Auto Changeover and Simultaneous Heat/Cool Demand Algorithm operation.

Wiring Requirements:

Power supply: 24VAC, 40 VA (minimum), 60 Hz, via indoor equipment ABCD Connector. Zoning systems with a large number of dampers, especially multiple dampers per zone, may require a separate, dedicated, field-installed 24vac power supply. The SAM module requires an independent, isolated, field-supplied 24vac power supply.

Wiring material: Standard thermostat wire 18 to 22 gauge. Use 18 AWG wiring for wire lengths over 25 feet. Shielded, twisted pair cable for the ABCD communication bus is optional, and may be helpful in electrically noisy environments, or for zoning systems with Smart Sensors.

NIM Requirements:

IDU	Non-comm ODU	NIM required?
Furnace	1-stage A/C	No
Furnace	2-stage A/C	Yes
Furnace	1-stage HP	Yes
Furnace	2-stage HP	Yes

Fan Coil	1-stage A/C	No
Fan Coil	2-stage A/C	Yes
Fan Coil	1-stage HP	No
Fan Coil	2-stage HP	Yes

EQUIPMENT

DESCRIPTION	PART NO.
Infinity® Touch Control (non-Wi-Fi®)	SYSTXCCITN01-A
Infinity® Touch Control with Wi-Fi® Remote Access Capability	SYSTXCCITC01-A
Infinity® Touch Control with Wi-Fi® Remote Access Capability & Wireless Access Point	SYSTXCCITW01-A
Infinity® Network Interface Module (NIM)	SYSTXCCNIM01*

- * Required for ventilator control
- * Required for Hybrid Heat applications with non-communicating heat pumps
- * Required for use with 2-stage (non-communicating) AC or HP

OPTIONAL ACCESSORIES

DESCRIPTION	PART NO.
Infinity® Remote Room Sensor (RRS)	SYSTXCCRRS01*
Large Decorative Backplate	SYSTXXXDBP01†
10 Pack Replacement – Green Indoor Unit Plug (ABCD Connector)	SYSTXGRPLG10
Outdoor Sensor	TSTATXXSEN01-B
Wireless Access Point (WAP)	SYSTXXXGWR01
Infinity® Remote Access Module, Broadband Cat-5 Wired	SYSTXCCRCT01
Infinity® Remote Access Module, Broadband Wi-Fi® Wireless	SYSTXCCRFW01
Accessory Power Transformer for SAM Modules**	SYSTXNNXFM01**

- * Not required, but may be used to remote sense indoor room temperature.
- † Backplate dimensions – 5.75-in. (146 mm) wide x 6-in. (152 mm) high.
- ** Available from RC/Totaline.

ZONING EQUIPMENT

DESCRIPTION	PART NO.
Infinity® Damper Control Module (4 Zone)	SYSTXCC4ZC01†
Infinity® Smart Sensor	SYSTXCCSMS01-B

- * NOTE: Each piece of the zoning equipment is purchased separately allowing for customization of the zoning application.
- † One Damper Control Module for up to 4 zones. A second Damper Control Module is required for zones 5-8.

DAMPER REPLACEMENT ACCESSORIES

DESCRIPTION	PART NO.
45° Actuator for round dampers	DAMPACT45DEG-R
90° Actuator for rectangular dampers	DAMPACT90DEG-R
Damper Control Module 1-amp Fuse	ATO1*

- *Available from RC.

DAMPERS

DESCRIPTION	PART NO.	
Round Dampers	6 in.	DAMPRND06INC-B
	8 in.	DAMPRND08INC-B
	10 in.	DAMPRND10INC-B
	12 in.	DAMPRND12INC-B
	14 in.	DAMPRND14INC-B
	16 in.	DAMPRND16INC-B
Rectangular Dampers	8 in. X 10 in.	DAMPREC08X10-B
	8 in. X 14 in.	DAMPREC08X14-B
	8 in. X 18 in.	DAMPREC08X18-B
	8 in. X 24 in.	DAMPREC08X24-B
	10 in. X 10 in.	DAMPREC10X10-B
	10 in. X 14 in.	DAMPREC10X14-B
	10 in. X 18 in.	DAMPREC10X18-B
10 in. X 24 in.	DAMPREC10X24-B	

DAMPERS (CONT.)

DESCRIPTION	PART NO.
Side mount, 8 X 8	DAMPSLS08X08-B
Bottom mount, 8 X 8	DAMPSLB08X08-B
Side mount, 8 X 10	DAMPSLS08X10-B
Bottom mount, 8 X 10	DAMPSLB08X10-B
Side mount, 8 X 12	DAMPSLS08X12-B
Bottom mount, 8 X 12	DAMPSLB08X12-B
Side mount, 8 X 14	DAMPSLS08X14-B
Bottom mount, 8 X 14	DAMPSLB08X14-B
Side mount, 8 X 16	DAMPSLS08X16-B
Bottom mount, 8 X 16	DAMPSLB08X16-B
Side mount, 8 X 18	DAMPSLS08x18-B
Bottom mount, 8 X 18	DAMPSLB08X18-B
Side mount, 8 X 20	DAMPSLS08X20-B
Bottom mount, 8 X 20	DAMPSLB08X20-B
Side mount, 8 X 22	DAMPSLS08X22-B
Bottom mount, 8 X 22	DAMPSLB08X22-B
Side mount, 8 X 24	DAMPSLS08X24-B
Bottom mount, 8 X 24	DAMPSLB08X24-B
Side mount, 10 X 10	DAMPSLS10X10-B
Bottom mount, 10 X 10	DAMPSLB10X10-B
Side mount, 10 X 12	DAMPSLS10X12-B
Bottom mount, 10 X 12	DAMPSLB10X12-B
Side mount, 10 X 14	DAMPSLS10X14-B
Bottom mount, 10 X 14	DAMPSLB10X14-B
Side mount, 10 X 16	DAMPSLS10X16-B
Bottom mount, 10 X 16	DAMPSLB10X16-B
Side mount, 10 X 18	DAMPSLS10X18-B
Bottom mount, 10 X 18	DAMPSLB10X18-B
Side mount, 10 X 20	DAMPSLS10X20-B
Bottom mount, 10 X 20	DAMPSLB10X20-B
Side mount, 10 X 22	DAMPSLS10X22-B
Bottom mount, 10 X 22	DAMPSLB10X22-B
Side mount, 10 X 24	DAMPSLS10X24-B
Bottom mount, 10 X 24	DAMPSLB10X24-B
Side mount, 12 X 12	DAMPSLS12X12-B
Bottom mount, 12 X 12	DAMPSLB12X12-B
Side mount, 12 X 14	DAMPSLS12X14-B
Bottom mount, 12 X 14	DAMPSLB12X14-B
Side mount, 12 X 16	DAMPSLS12X16-B
Bottom mount, 12 X 16	DAMPSLB12X16-B
Side mount, 12 X 18	DAMPSLS12X18-B
Bottom mount, 12 X 18	DAMPSLB12X18-B
Side mount, 12 X 20	DAMPSLS12X20-B
Bottom mount, 12 X 20	DAMPSLB12X20-B
Side mount, 14 X 14	DAMPSLS14X14-B
Bottom mount, 14 X 14	DAMPSLB14X14-B
Side mount, 14 X 16	DAMPSLS14X16-B
Bottom mount, 14 X 16	DAMPSLB14X16-B
Side mount, 14 X 20	DAMPSLS14X20-B
Bottom mount, 14 X 20	DAMPSLB14X20-B
Side mount, 16 X 16	DAMPSLS16X16-B
Bottom mount, 16 X 16	DAMPSLB16X16-B
Bottom mount, 16 X 20	DAMPSLB16X20-B

Slip-In Dampers

