

TP – WEM01 – A Performance™ Series AC/HP Wi-Fi® Thermostat Carrier® Côr™ Thermostat



Product Data



Fig. 1 - Carrier® Côr™ Thermostat

INTRODUCTION

From the people who invented modern air conditioning comes a thermostat that's reinventing the way you manage your comfort and energy savings. Take control of your home with a fingertip or just let the Carrier® Côr™ thermostat do all the work for you. Whether you're on the couch, on the road or even on the other side of the world, you can stay connected to the heart of your home from the palm of your hand.

With the Côr thermostat, homeowners saved an average of 20% on their heating and cooling energy costs.* Features like smart setback let the thermostat intelligently adapt beyond manual programming for greater efficiency, while still meeting your ideal comfort levels. Energy reports that show your system performance allow you to modify your settings to maximize savings. You'll also receive customized tips to help you save even more.

**Based on a 2012 third-party study comparing Carrier® Côr™ technology to the estimated cost of a non-programmable thermostat set to 72°F at all times.*

FEATURES/BENEFITS

- Apple HomeKit compatible
- Remote access via web portal or smartphone app
- Energy reports and customized savings tips
- Intelligent software adapts beyond manual programming for greater efficiency, while meeting ideal comfort levels by understanding home and system characteristics
- Smartphone style, color touch screen
- Indoor humidity sense and display
- Local 4-day weather forecast
- HVAC system alerts and maintenance reminders display dealer contact information
- 7-day programmability with Guided Scheduling, Comfort Profiles and Touch-n-Go® Features
- Heating/Cooling Smart Setback
- Super Dehumidification, Cool to Dehumidify

- Comfort Heat Pump System™ Feature
- Auxiliary Heat During Defrost
- Fan Optimization
- Air Circulation (minimum time per hour)
- Free Cooling with a Ventilator
- Window Protect with a Humidifier
- Internal Occupancy Sensor

PRODUCT DATA INFORMATION

Equipment Capability

- 24VAC (low voltage) systems
- Up to 2 stages of heat (for conventional systems) OR
- Up to 4 stages of heat for heat pump/Aux heat systems, (1 or 2 stages + 1 or 2 stages auxiliary heat, Intelligent heat staging capable)
- And up to 2 stages of cool
- Hybrid Heat® dual-fuel systems
- Geothermal systems
- Boiler/hot water system
- Accessories: humidifier, dehumidifier, or ventilation device

Physical Characteristics

- Dimensions: 4" x 4" x 1" (See drawing exact dimensions)
- Mounting: Horizontal

Electrical

- Input volts/amps: 24VAC, 3 VA minimum, RC/RH compatible

Environment

- Operating temperature/Relative humidity: 32°F (0°C) to 130°F (40°C), 95% RH non-condensing
- Storage temperature/Relative humidity: -40°F (-40°C) to 134°F (57°C), 95% RH non-condensing

Wiring Requirements

- Standard 18 to 22 gauge, local wiring codes supersede.

OPERATIONAL INFORMATION

Heating / Cooling Setpoints

The heating setpoint range is 50°F (10°C) to 90°F (32°C). a selectable range of 2 - 6°F (2°F default) is enforced between heating and cooling setpoint temperatures. This is done by allowing one setting to "push" the other to maintain this difference.

Alerts & Reminders

The system helps managing routine maintenance and service through system alerts and reminders that can be set up to notify both the homeowner and the servicing dealer. Notifications are displayed on the thermostat, mobile app, web portal, and can be sent via email. Routine service, filter change, temperature alerts, and humidity alerts are just a few examples of the alerts and reminders that can be sent.

Equipment On Indicators

When cooling equipment is ON, the idle screen displays (Cooling)
 When heating equipment is ON, the idle screen displays Heating.
 When auxiliary heating is ON (HP only) the idle screen displays (Heating) When just the fan is ON the idle screen displays (Fan on)

Equipment Operation

A wide variety of system settings like compressor time guards and auxiliary heat lock-outs are available to the installer. The installation menus are customized for the equipment type that is setup so if a heat pump is configured, only heat pump related settings are displayed.

Smart Setback

The Carrier C^or Thermostat takes the guess work out of setbacks with its Smart Setback feature. Set the minimum / maximum setback limits via the Cool To and Heat To settings and the thermostat will do the rest. The Smart Setback algorithm uses historical performance of the home along with the current outdoor conditions to calculate when to start heating / cooling in order to recover using the most efficient stage and heat source available.

REMOTE CONNECTIVITY

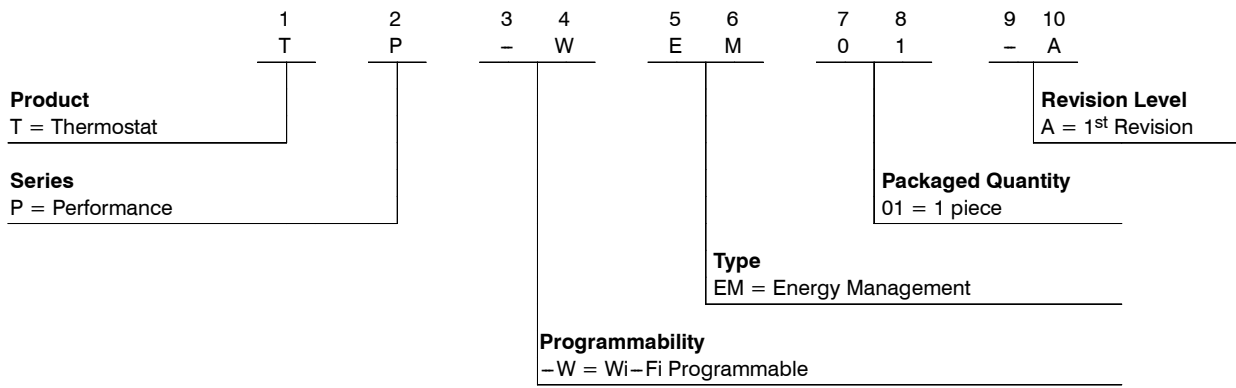
Compatibility

- Broadband Internet
- 802.11 b/g/n Wi-Fi[®] network

Remote Access

The Carrier C^or Thermostat features remote access that allows you the freedom to manage and track your home energy consumption anytime and from anywhere. Whether you're utilizing your personal Carrier Web Portal through a desktop computer, a tablet or one of Carrier's smartphone apps, the power to manage your monthly energy usage is in the palm of your hand. Visit www.carrier.com/myhome from your Internet-connected device to access your personalized web portal or download the free app for your smartphone.

MODEL NUMBER NOMENCLATURE



DIMENSIONS

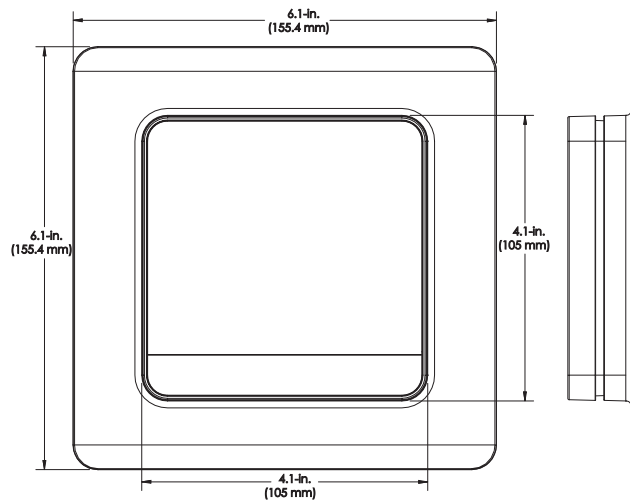


Fig. 2 - Carrier C^or Thermostat Dimensions
 (Shown with optional, large backplate)

A14578

ACCESSORIES

Part Number	Description
TS-2PE01	Power Extender kit for TP-WEM01 and TP-WEM01-A Thermostat

Wi-Fi[®] is a registered trademark of the Wi-Fi Alliance[®] Corporation