



# 30MPA, MPW015-071 Height Adjustment Accessory

## Installation Instructions

Part No. 30MP-900---002

### SAFETY CONSIDERATIONS

Installation of this accessory can be hazardous due to system pressures, electrical components and equipment location. Only trained, qualified installers and service mechanics should install and service this equipment.

When installing this accessory, observe precautions in the literature, labels attached to the equipment, and other safety precautions that apply.

- Follow all safety codes.
- Wear safety glasses and work gloves.
- Use care in handling and installing this accessory.

### USAGE

This package may be used on 30MPA, MPW015-071 units.

### INTRODUCTION

Install this package after bringing unit into the building. The unit must be raised off from the floor by approximately 7 inches. Be sure to block the unit securely so that it cannot fall during installation of the assemblies. After the accessory height adjustment package is installed, the unit can be set in its final location.

### PACKAGE CONTENTS (Each)

QUANTITY	ITEM
6	Height Adjustment Assemblies (includes leveling pad, nuts, and washer)

### INSTALLATION

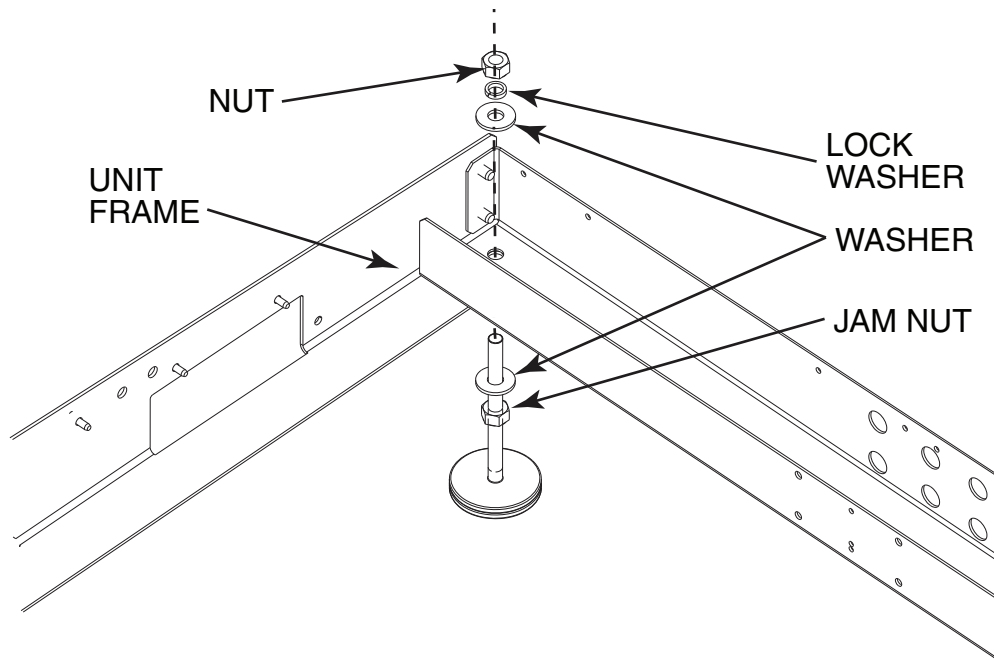
**IMPORTANT:** Securely lift unit until installation of the kit is completed. Be sure to block the unit securely so that it cannot fall during the installation.

**Step 1 — Examine Package Contents —** Check to be sure there are 6 assemblies in the carton. Notify your Carrier representative if there are pieces missing or if the accessory is damaged.

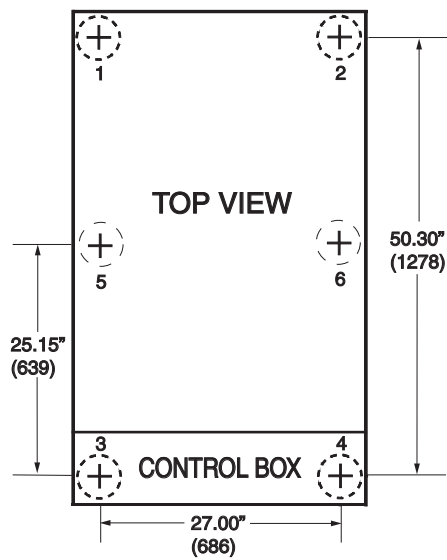
**Step 2 — Mount Assemblies to Unit Base —** Mount one assembly to each corner of the unit and one in the center of the base (each side) as shown in Fig. 1 and 2. Tighten the top nut just enough to hold the assembly loosely once the assembly is mounted on the unit.

**Step 3 — Set Unit —** Once all 6 assemblies are in place, set unit into final location.

**Step 4 — Adjust for Level —** Without tightening the top nut, adjust the jam nut until the unit is at the appropriate level. Once adjusted, securely tighten the top nut. A minimum of 30 ft-lb (41 N•m) is required.



**Fig. 1 — Mounting Height Adjustment Assembly**



NOTE: Dimensions in inches (mm).

**Fig. 2 — Height Adjustment Assembly Installation Points**