

Installation Instructions

Part No. 30HW-900---001, 30HW-900---002, 30MP-900---020

SAFETY CONSIDERATIONS

Installation of this accessory can be hazardous due to system pressures, electrical components and equipment location. Only trained, qualified installers and service mechanics should install and service this equipment.

When installing this accessory, observe precautions in the literature, labels attached to the equipment, and other safety precautions that apply.

- Follow all safety codes.
- Wear safety glasses and work gloves.
- Use care in handling and installing this accessory.

⚠ WARNING

Electrical shock can cause personal injury and death. Shut off all power to this equipment during installation. There may be more than one disconnect switch. Tag all disconnect locations to alert others not to restore power until work is completed.

USAGE

UNIT	ACCESSORY PART NO.	QUANTITY NEEDED
30HWA,HWB018,025	30HW-900---001	1
30HWC,HWS018,025	30HW-900---001	2
30HWA,HWB028-040	30HW-900---002	1
30HWC,HWS028-040	30HW-900---002	2
30MPA,MPW015-045	30HW-900---002	1
30MPA,MPW050-071	30MP-900---020	1

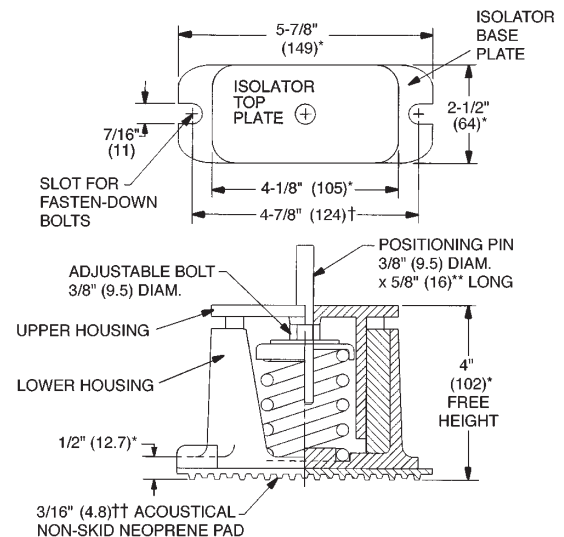
GENERAL

Each accessory vibration isolator package contains the quantity of isolators shown in Table 1. Each isolator has a ribbed neoprene pad, a 3/8-in. diameter positioning pin, a cast steel housing, and a coldwound spring, and is internally adjustable. See Fig. 1. The spring is color-coded for identification purposes.

Check Package Contents — Check package for missing parts or shipping damage. If damage is found, or any part is missing, file a claim with the shipper immediately.

NOTE: For part no. 30HW-900---001, isolator springs should be black. Be sure there are 4 isolator springs. For part no. 30HW-900---002, isolator springs should be yellow or gray. Be sure there are 4 isolator springs. For part no. 30MP-900---020, isolator springs should be green. Be sure there are 6 isolator springs.

Notify your Carrier representative if the correct quantity of isolators is not in the package and/or the isolators are the wrong color. See Table 1.



*Maximum dimensional value.
 † ± 1/8 (3).
 **Minimum dimensional value.
 †† ± 1/16 (1.6).

NOTE: Dimensions in () are millimeters.

Fig. 1 — Vibration Isolator

INSTALLATION

Step 1 — Set the Unit on Isolators — For a new installation, place the isolators so that the isolator positioning pins line up with the 9/16-in. (14 mm) diameter holes in the unit's feet. See Fig. 2 for location of unit mounting holes.

To install isolators on a unit already installed or in place, block up unit to free height plus 1/2-in. (12.7 mm), (approximately 4 1/2-in. [114 mm]). Install the isolators, making sure the pin on top of each isolator goes into the holes in the corresponding unit feet. Lower the unit onto the isolators.

Each isolator has two slots in base plate for securing the isolator to the foundation or floor (minimum dimension for each slot is 7/16-in. x 3/16-in. [11 x 5 mm]).

Step 2 — Adjust the Mounting Bolts — Adjust the mounting bolt (see Fig. 1) so that the upper housing of the isolator clears the lower housing by at least 1/4-in. (6.3 mm) and not more than 1/2-in. (12.7 mm).

See Table for maximum load, spring color, and spring deflection for each accessory package.

See Table 2 and Fig. 2 for the approximate weights at mounting holes of each standard unit size.

See Table 3 for the weights of accessories and factory-installed options.

Table 1 — Accessory Contents, Isolator Ratings and Physical Data

PART NO.	ITEM	QTY	MAX. LOAD lb (kg)	SPRING COLOR	DEFLECTION in. (mm)
30HW-900---001	Isolators	4	260 (118)	Black	1.0 (25.4)
30HW-900---002	Isolators	4	370 (168)	Yellow or Gray	0.8 - 1.0 (20.3 - 25.4)
30MP-900---020	Isolators	6	600 (272)	Green	1.0 (25.4)

Table 2 — Weight Distribution At Each Mounting Hole — lb (kg)

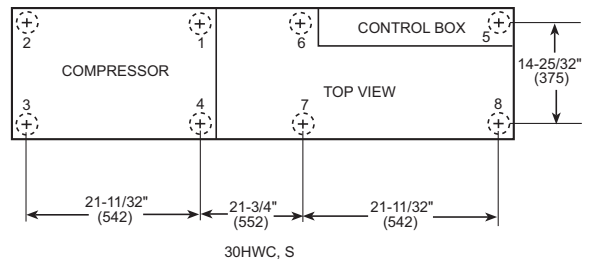
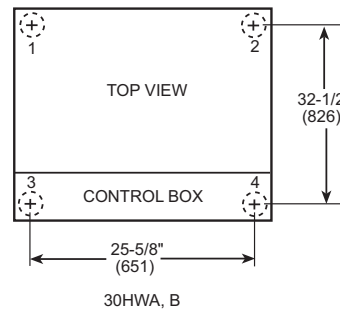
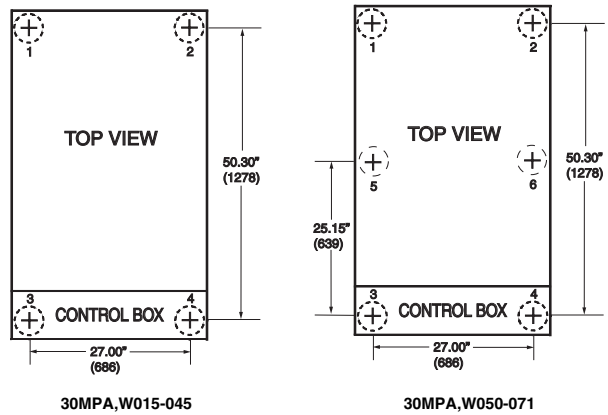
UNIT	MOUNTING HOLE NO.							
	1	2	3	4	5	6	7	8
30MPW015		170 (77.0)						
30MPW020		176 (79.7)						
30MPW030		216 (97.6)						
30MPW040		275 (124.5)						
30MPW045		298 (134.8)						
30MPW050		267 (121.0)						
30MPW055		270 (122.1)						
30MPW060		280 (126.9)						
30MPW065		285 (129.3)						
30MPW071		287 (130.2)						
30MPA015	157 (70.9)							
30MPA020	159 (71.9)							
30MPA030	181 (81.8)							
30MPA040	228 (103.4)							
30MPA045	234 (105.8)							
30MPA050		269 (122.0)						
30MPA055		272 (123.1)						
30MPA060		276 (125.0)						
30MPA065		281 (127.3)						
30MPA071		287 (130.2)						
30HWA018	185 (83.9)							
30HWA025	220 (99.8)							
30HWA028	240 (108.9)							
30HWA035	244 (110.7)							
30HWA040	270 (122.5)							
30HWA018	199 (90.3)							
30HWA025	238 (108.0)							
30HWA028	266 (120.7)							
30HWA035	271 (122.9)							
30HWA040	328 (148.8)							
30HWC,S018	171 (77.6)				136 (61.7)			
30HWC,S025	196 (88.9)				144 (65.3)			
30HWC,S028	211 (95.7)				160 (72.6)			
30HWC,S035	216 (98.0)				161 (73.0)			
30HWC,S040	240 (108.9)				185 (83.9)			

Table 3 — Approximate Weights of Accessories and Factory-Installed Options

ITEM	WEIGHT, lb (kg)
SOUND ENCLOSURE	185 (84)
HOT GAS BYPASS	15 (7)
WATER MANIFOLD KIT (30MPA)	202 (92)
WATER MANIFOLD KIT (30MPW)	405 (183)
30-AMP NON-FUSED DISCONNECT*	30 (14)
60-AMP NON-FUSED DISCONNECT*	35 (16)
100-AMP NON-FUSED DISCONNECT*	50 (23)
200-AMP NON-FUSED DISCONNECT*	60 (27)

*Disconnect weight for 30HW only.

NOTE: Assume the weight of the accessory or factory-installed option is distributed equally among the 4, 6, or 8 mounting holes.



NOTES:

- Dimensions in () are in millimeters.
- All mounting holes are 9/16 in. (14 mm) in diameter.

Fig. 2 — Mounting Hole Weight Distribution and Locations