



30MPA,MPW015-071 Manifold Victaulic Spacer Fitting Kit Accessory

Installation Instructions

Part No. 30MP-900---015, 30MP-900---016

IMPORTANT: Read entire instructions before installing the accessory.

SAFETY CONSIDERATIONS

Installation of this accessory can be hazardous due to system pressures, electrical components and equipment location. Only trained, qualified installers and service mechanics should install and service this equipment.

When installing this accessory, observe precautions in the literature, labels attached to the equipment, and other safety precautions that apply.

- Follow all safety codes.
- Wear safety glasses and work gloves.
- Use care in handling and installing this accessory.

⚠ WARNING

Electrical shock can cause personal injury and death. Shut off all power to this equipment during installation. There may be more than one disconnect switch. Tag all disconnect locations to alert others not to restore power until work is completed.

GENERAL

The 30MP manifold Victaulic spacer fitting kit allows for easy installation between two modular 30MP units. The manifold Victaulic fitting kit consists of the required piping, Victaulic spacer fittings, and insulation between either 30MPA or 30MPW units. The manifold fitting accessory package differs depending on the chiller model; consult Table 1 for specific package applications. The contents for each package is shown in Table 2.

Table 1 — Accessory Package Usage

30MP UNIT	PACKAGE REQUIRED
30MPA015-071	30MP-900---015
30MPW015-071	30MP-900---016

Table 2 — Package Contents

ACCESSORY PART NO.	DESCRIPTION	QTY
30MP-900---015	6-in. Style 75 Victaulic Coupling (each coupling consists of 2 housings and 1 gasket)	4
	6-in. Spacer Pipe	2
	Evaporator Piping Insulation	2
30MP-900---016	6-in. Style 75 Victaulic Coupling (each coupling consists of 2 housings and 1 gasket)	8
	6-in. Spacer Pipe	4
	Evaporator Piping Insulation	2

NOTE: The kit can be used only on two units built within the same period, either before November 2015 or starting November 2015 (serial number beginning 4515Q).

Check each installation item to be sure it was not damaged during shipping.

IMPORTANT: Check the outside surface of each spacer pipe, as well as between the groove and pipe end for damage. The surface must be smooth and free from indentations, projections, and roll marks. All oil, grease, loose paint, dirt, and cutting materials must be removed.

INSTALLATION

Step 1 — Disconnect Electrical Power — Turn off unit power supply and install lockout tags on all disconnects.

⚠ WARNING

Before beginning installation of this equipment, be sure all power to the unit is disconnected, and that tags are properly placed to alert others. Electrical shock can cause personal injury and death.

Step 2 — Position 30MP Units — Physically position the two 30MP units together, approximately 6 in. (14.9 mm) between the two units. See Fig. 1 and 2.

Step 3 — Install Victaulic Gaskets — Remove the Victaulic gasket from the housings. Apply a thin coat of field-supplied Victaulic lubricant or silicone lubricant to the gasket sealing lips and exterior of gasket. Position the gasket over the manifold pipe end. Make sure the gasket does not overhang the pipe end.

Step 4 — Install Spacer Pipe — Align the spacer pipe into position between the manifold pipes. Slide the gasket into position and center it between the grooves in each pipe end. Make sure no portion of the gasket extends into the groove of the other pipe end.

Step 5 — Install Housings — Install the Victaulic housings over the gasket. Make sure the keys of the housing engage the gasket completely on both pipe ends.

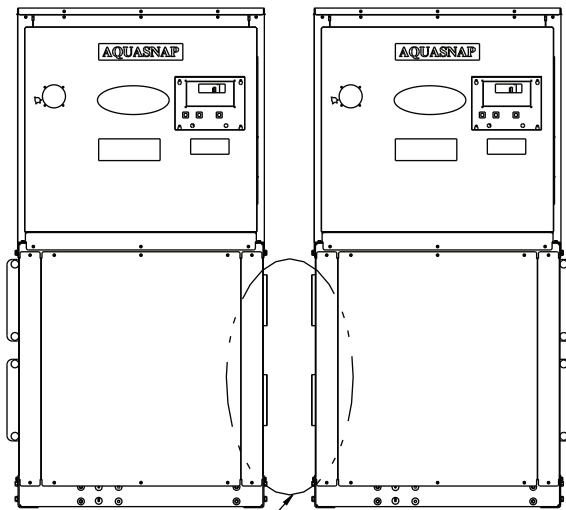
Step 6 — Install Bolts/Nuts — Install the bolts and thread a nut finger-tight on each bolt. Make sure that the oval neck of each bolt seats properly in the bolt hole.

Step 7 — Tighten Nuts — Tighten the nuts evenly by alternating sides until metal-to-metal contact occurs at the bolt pads. Make sure the keys of the housing engage in the grooves completely. Tighten the nuts evenly to prevent gasket pinching.

Manufacturer reserves the right to discontinue, or change at any time, specifications or designs without notice and without incurring obligations.

Step 8 — Visually Inspect — Visually inspect the bolt pads at each joint to ensure metal-to-metal contact is achieved. See Fig. 2.

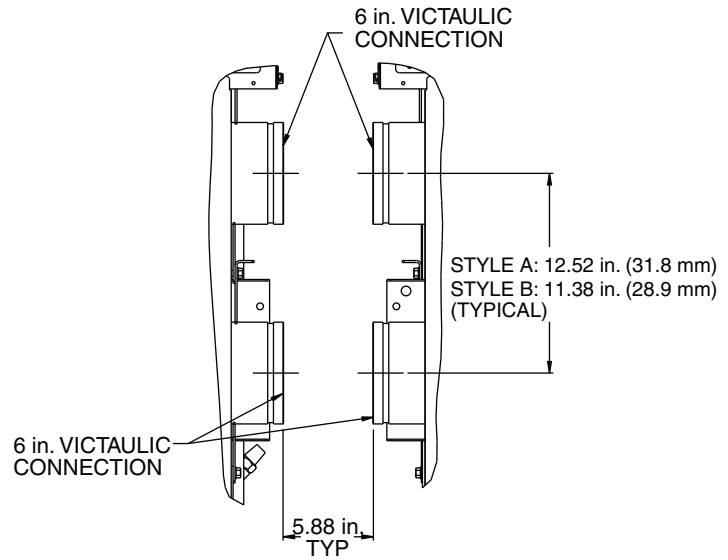
Step 9 — Install Insulation — Remove the adhesive backing from insulation and apply to both spacer pipes connecting the evaporator piping.



SEE DETAIL A

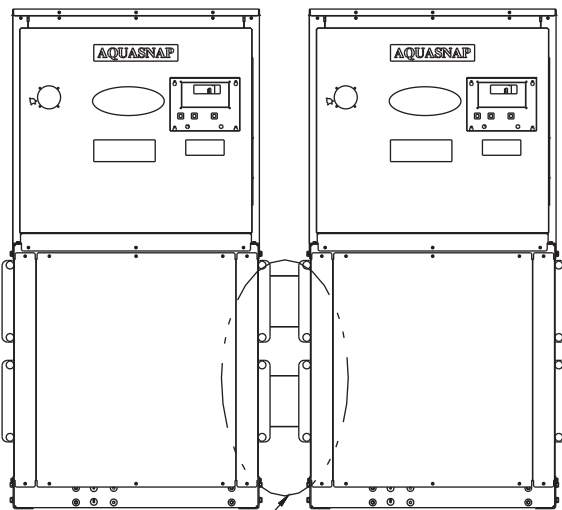
NOTE: Style A water manifold is not compatible with Style B. Style A water manifold is used on 30MP015-045 units made before November 2015. Style B water manifold is used on 30MP050-071 units and 30MP015-045 units made starting November 2015 with a serial number beginning with 4515Q---- (example: Week 45, Year 2015, Q, sequence number).

Fig. 1 — Position 30MP Units



(CORNER POSTS
REMOVED FOR CLARITY)

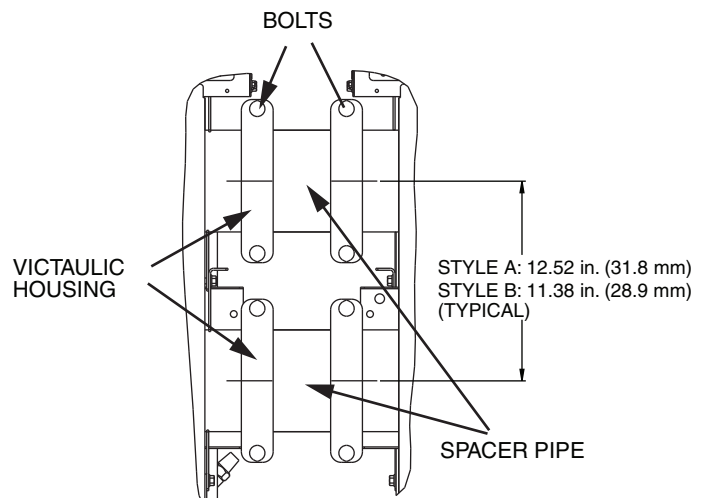
DETAIL A



SEE DETAIL A

NOTE: Style A water manifold is not compatible with Style B. Style A water manifold is used on 30MP015-045 units made before November 2015. Style B water manifold is used on 30MP050-071 units and 30MP015-045 units made starting November 2015 with a serial number beginning with 4515Q---- (example: Week 45, Year 2015, Q, sequence number).

Fig. 2 — 30MP Units with Manifold Fitting Installed



(CORNER POSTS
REMOVED FOR CLARITY)

DETAIL A